



MOTORIZED GUILLOTINE SYSTEM
INSTALLATION MANUAL

M 1 9 1 0



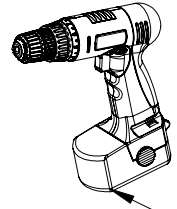


MOTORIZED GUILLOTINE SYSTEM
INSTALLATION MANUAL

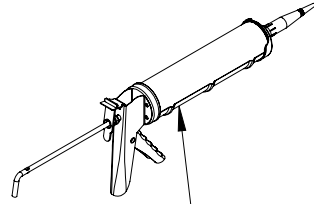
M 1 9 1 0

PARTS 1/2

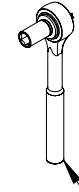
0- REQUIRED TOOLS



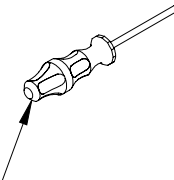
RECHARGEABLE DRILL



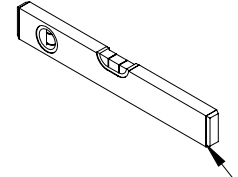
SILICONE-GUN



SOCKET-WRENCH



SCREW-DRIVER



SPIRIT-LEVEL

A1
×1
M1900-GP201-001



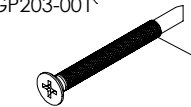
A2
×4
M1900-PRC001R1



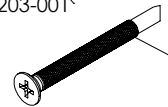
A3
×2
M1900-PRC002R1



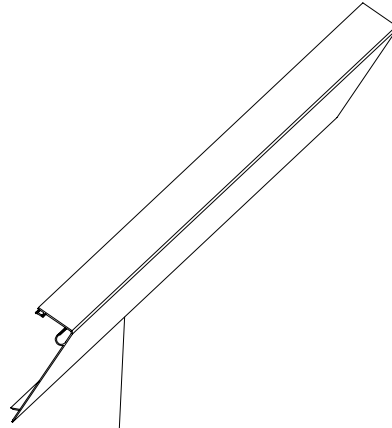
A4
×2
M1900-GP203-001



A5
×8
YHB MATKAP UÇLU VİDA-DIN7504-N ST4,8x50



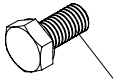
A6
×1
M1900-GP204-001



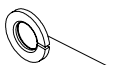
A7
×4
YHB-MU-VİDA-DIN7504-N ST4,8x38



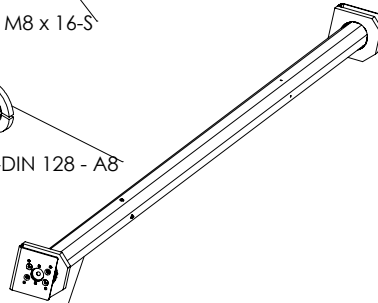
A8
×4
ISO 4017 - M8 x 16-S



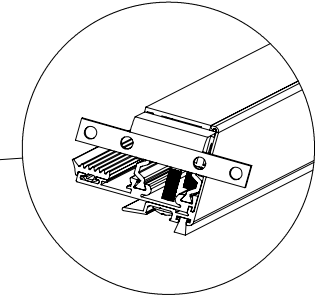
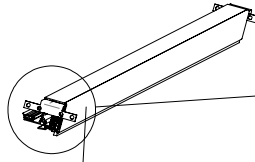
A9
×4
YAYLI PUL-DIN 128 - A8



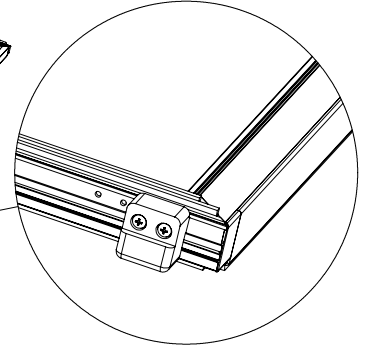
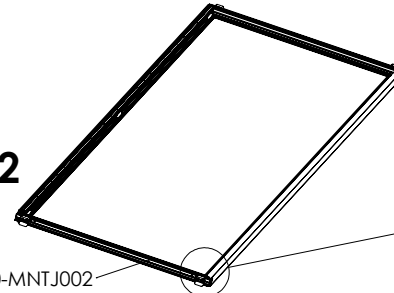
A10
×1
M1900-MNTJ004



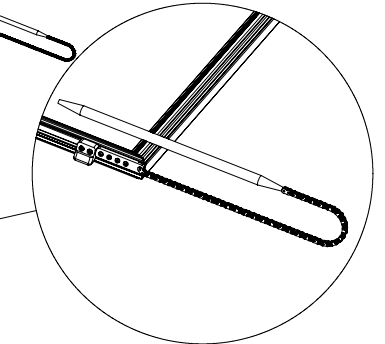
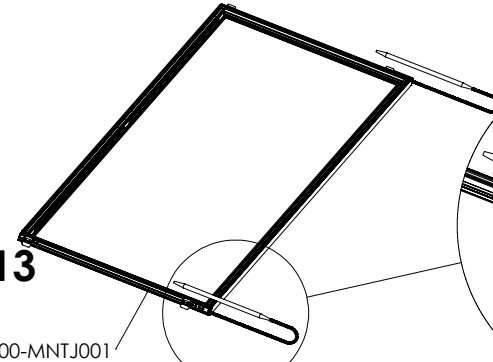
A11
×1
M1900-MNTJ003



A12
×1
M1900-MNTJ002



A13
×1
M1900-MNTJ001





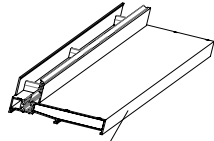
Awning for Patio

MOTORIZED GUILLOTINE SYSTEM
INSTALLATION MANUAL

M 1 9 1 0

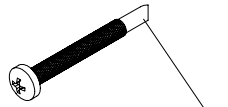
PARTS 2/2

A14
×1



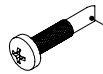
M1900-ALTMNTJ003

A15
×8



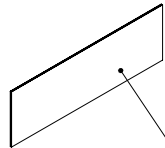
YSB-MU-VÍDA-DIN7504-N-4.8X50

A16
×4



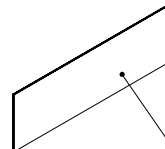
YSB MU-DIN7504-N 4.8X25

A17
×2



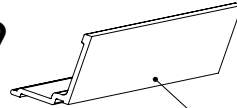
M1900-ISICAM-002

A18
×1



M1900-ISICAM-001

A19
×4



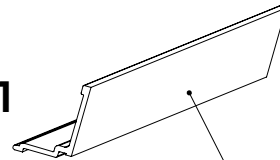
M1910-GP312-002

A20
×4



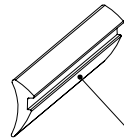
M1910-GP312-003

A21
×1



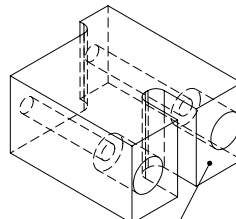
M1910-GP312-001

A22
×1



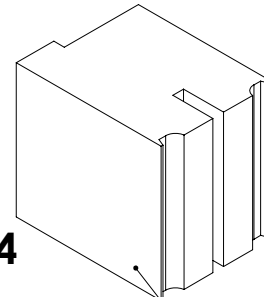
EPDM212138
(3mm KAMA FITL)

A23
×2



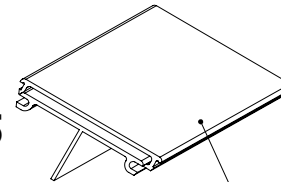
M1900-PRC025

A24
×2



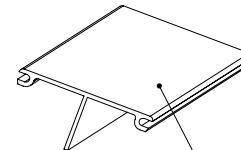
M1900-PRC016

A25
×2



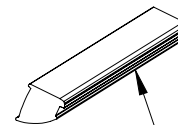
M1900-ALTMNTJ004

A26
×2



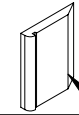
M1900-GP211-001

A27
×1



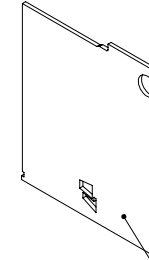
EPDM1910002
(9mm KAMA FITIL)

A28
×2



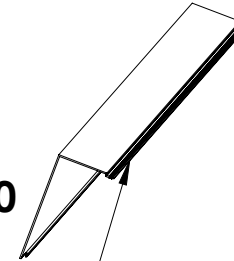
M1900-PRC024

A29
×2



M1900-PRC022

A30
×1



GP205R1



Awning for Patio

MOTORIZED GUILLOTINE SYSTEM
INSTALLATION MANUAL

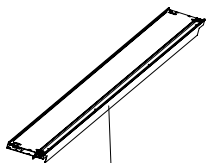
M 1 9 1 0

MNTJ005 A

A1

× 1

M1900-GP201-001



A2

× 4

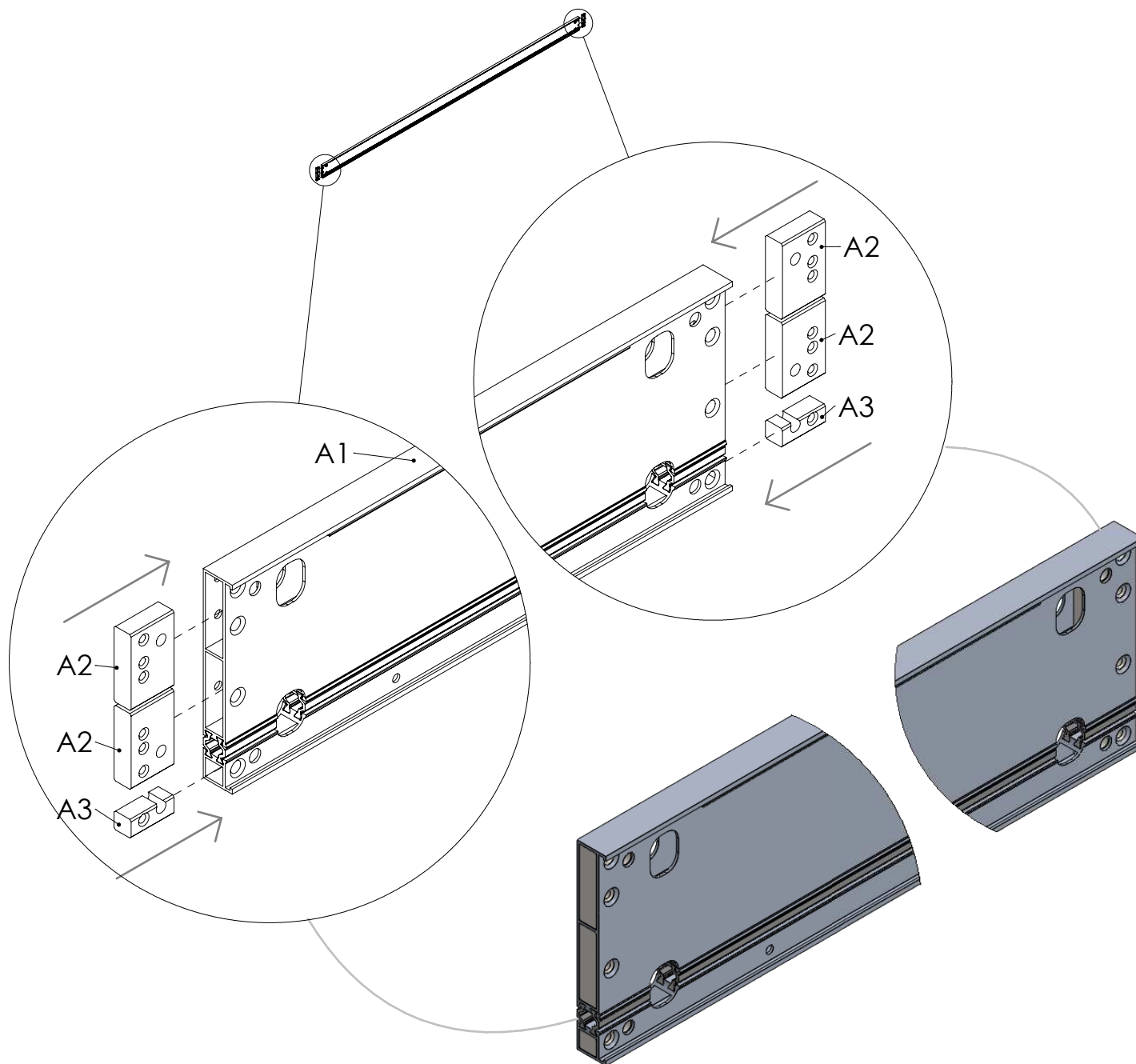
M1900-PRC001R1



A3

× 2

M1900-PRC002R1





MOTORIZED GUILLOTINE SYSTEM
INSTALLATION MANUAL

M 1 9 1 0

MNTJ005 B

MNTJ005A

×1

A4

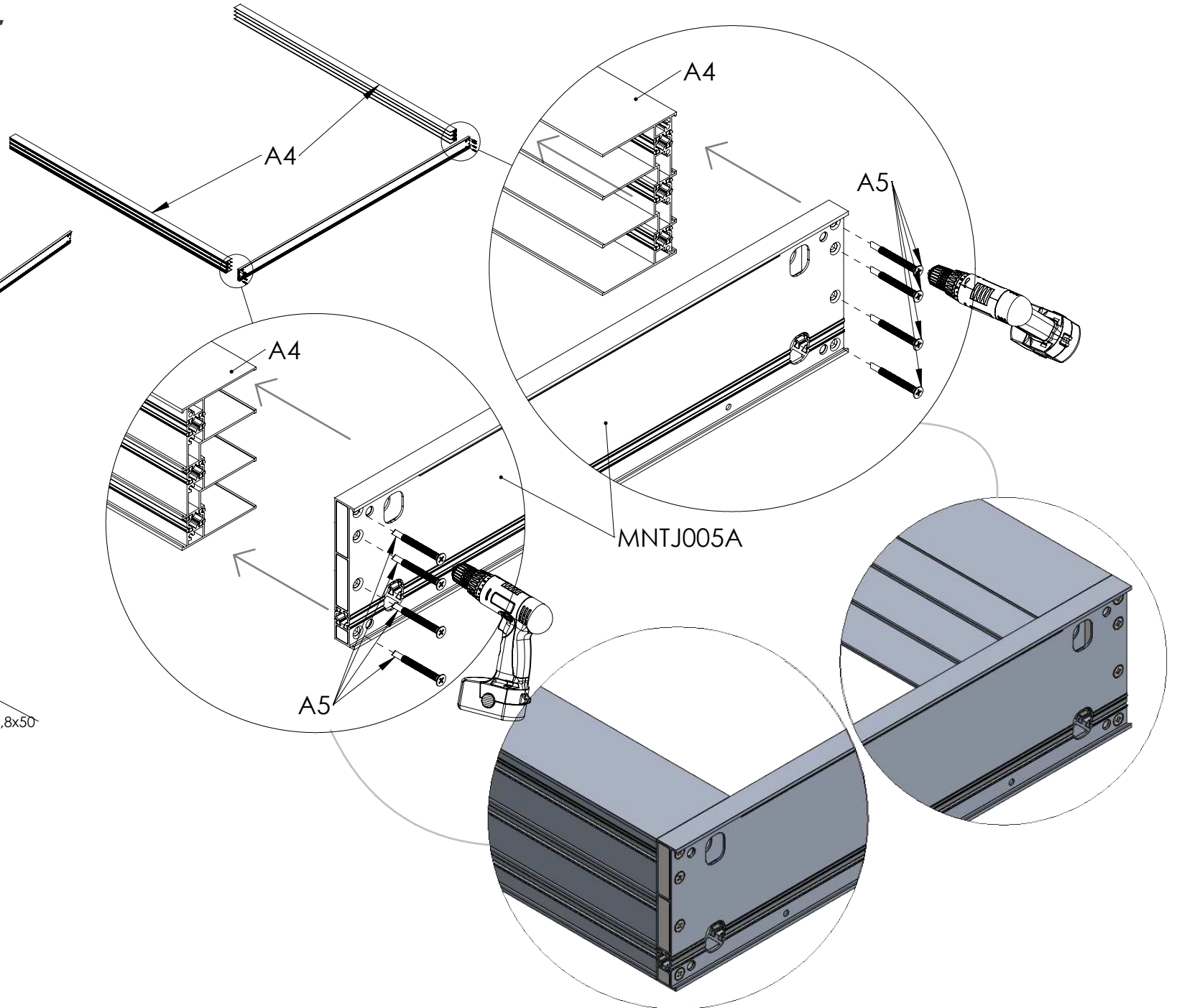
×2

M1900-GP203-001

A5

×8

YHB MATKAP UÇLU VİDA-DIN7504-N ST4,8x50

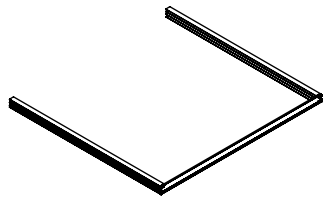




MOTORIZED GUILLOTINE SYSTEM
INSTALLATION MANUAL

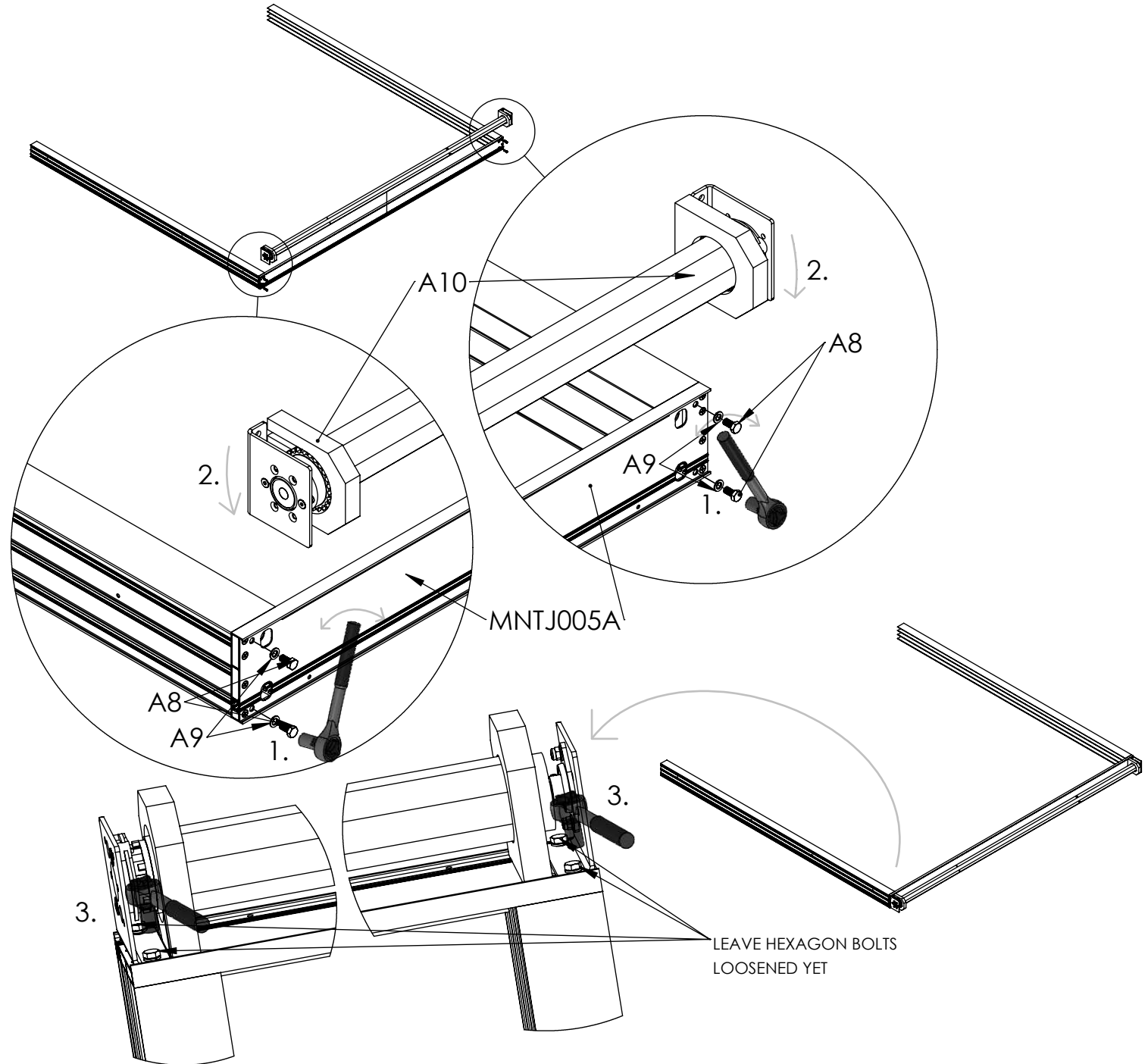
M 1 9 1 0

MNTJ006



MNTJ005A

× 1



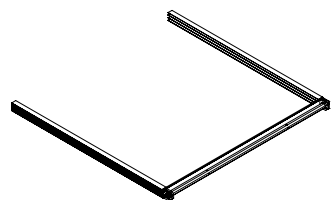
LEAVE HEXAGON BOLTS
LOOSENED YET



MOTORIZED GUILLOTINE SYSTEM
INSTALLATION MANUAL

M 1 9 1 0

MNTJ007 A



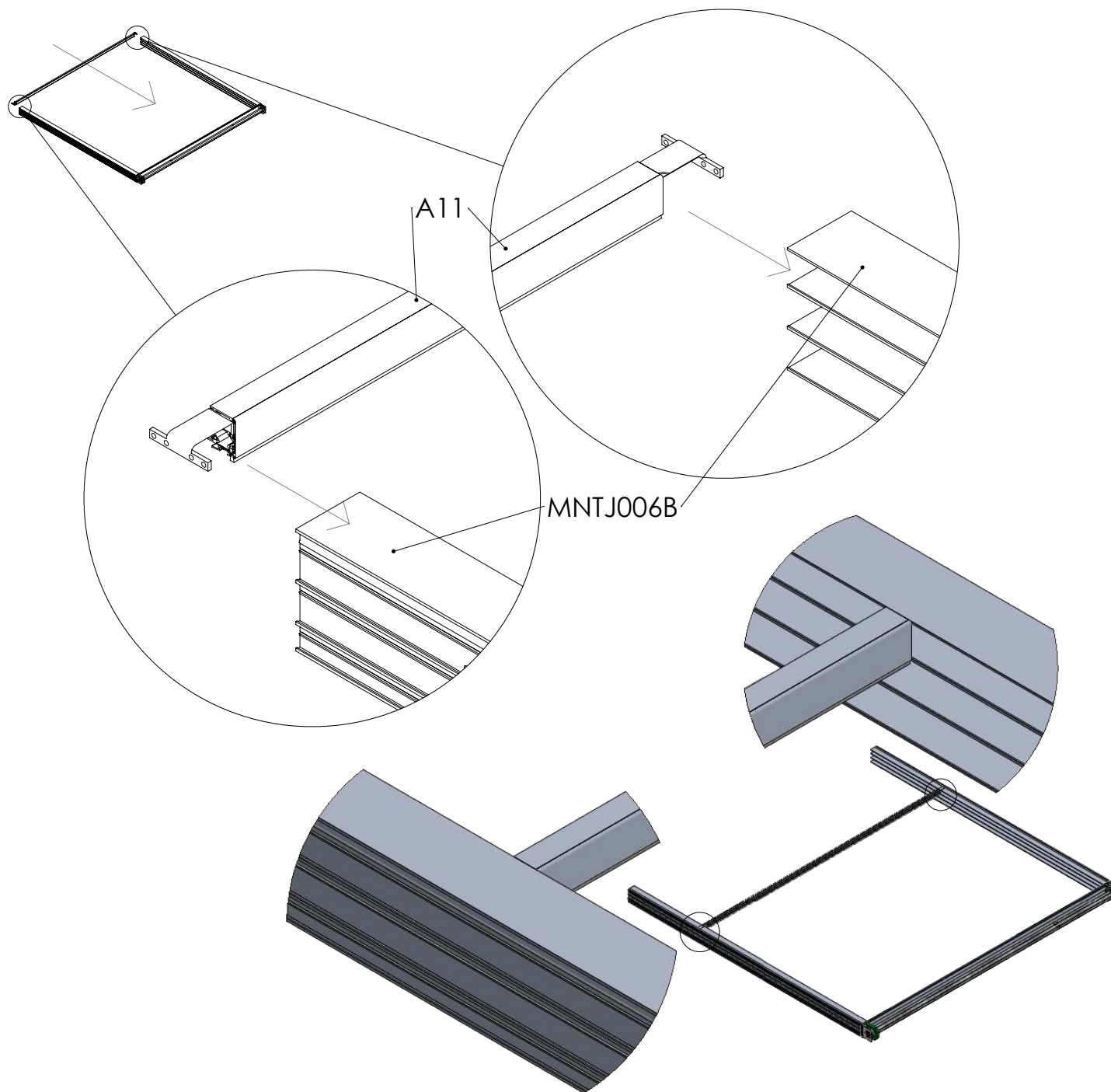
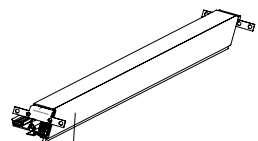
MNTJ006B

× 1

A11

× 1

M1900-MNTJ003

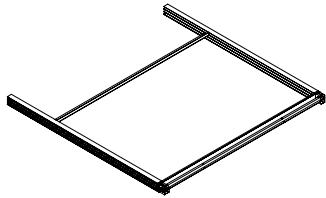




MOTORIZED GUILLOTINE SYSTEM
INSTALLATION MANUAL

M 1 9 1 0

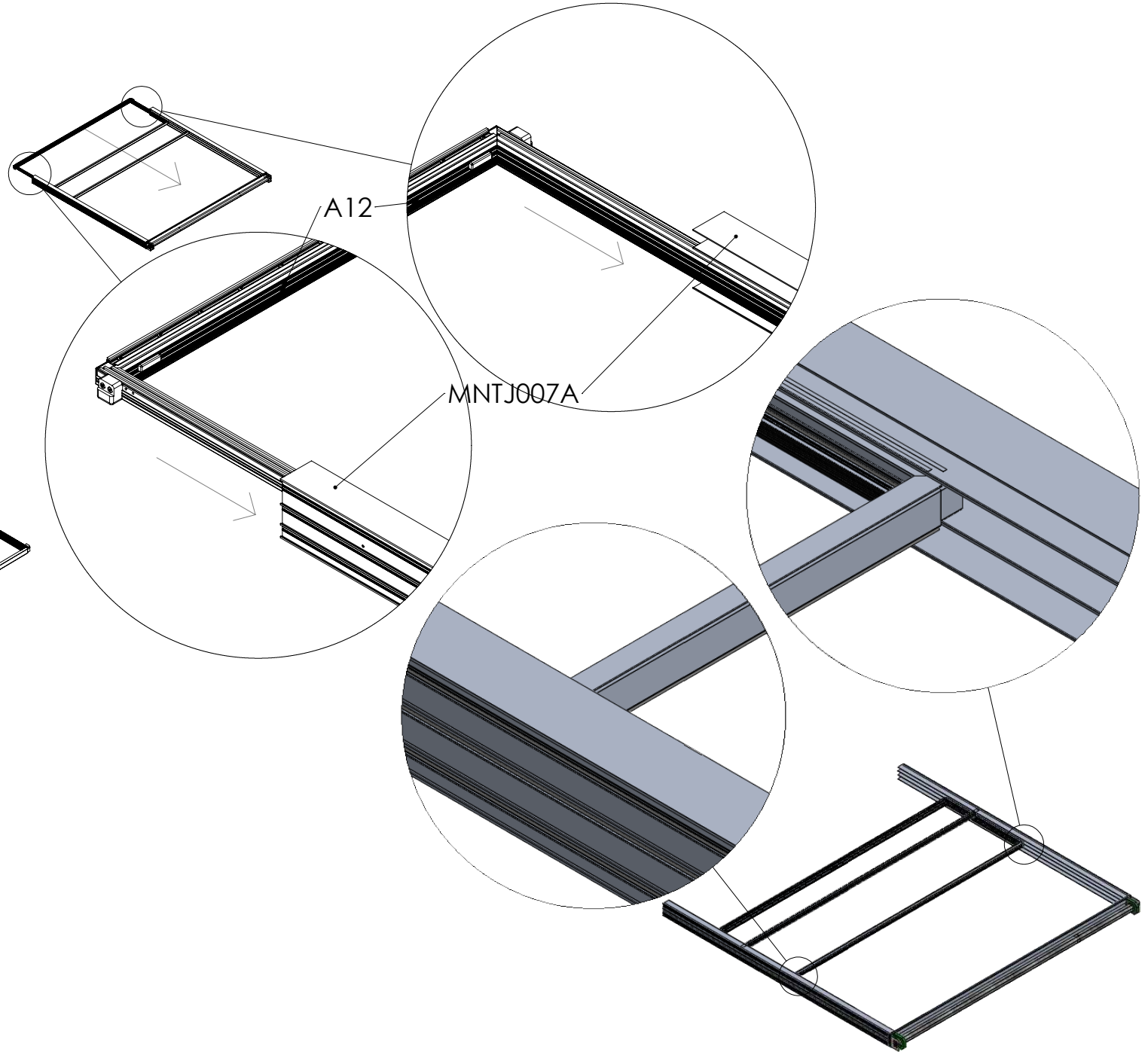
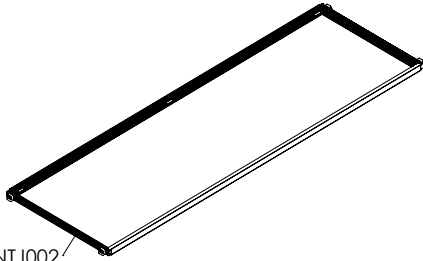
MNTJ007 B



MNTJ007A
× 1

A12
× 1

M1900-MNTJ002

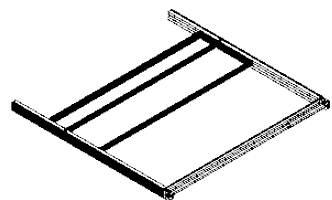




MOTORIZED GUILLOTINE SYSTEM
INSTALLATION MANUAL

M 1 9 1 0

MNTJ007 C



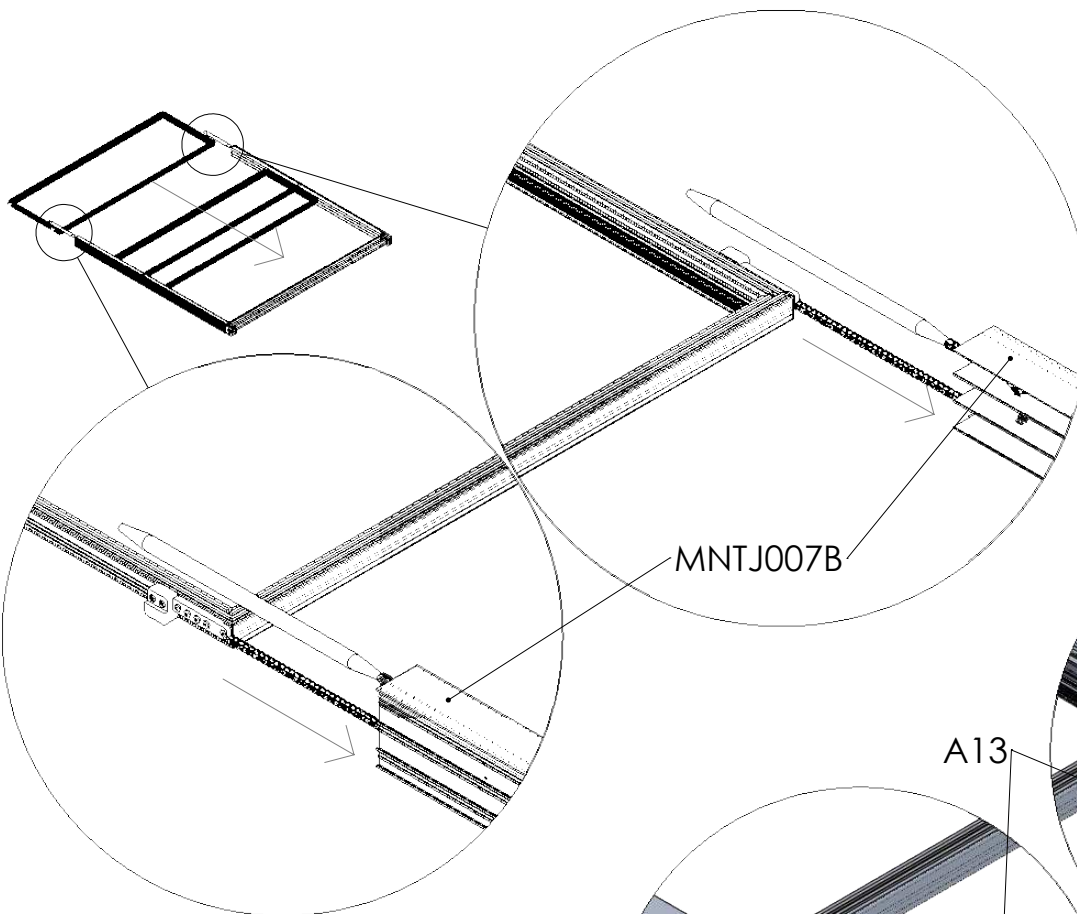
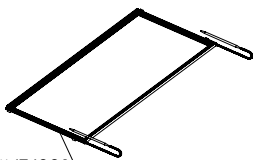
MNTJ007B

× 1

A13

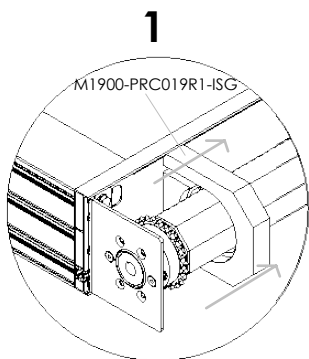
× 1

M1900-MNTJ001



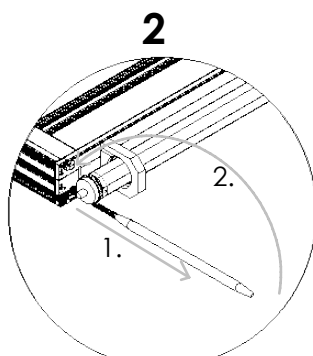
MNTJ007B

A13



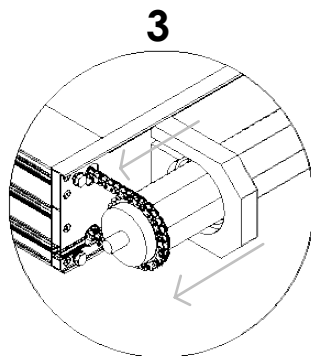
1

MOVE **M1900-PRC019s**
TO SIDES TO REVEAL
SPROCKET WHEEL



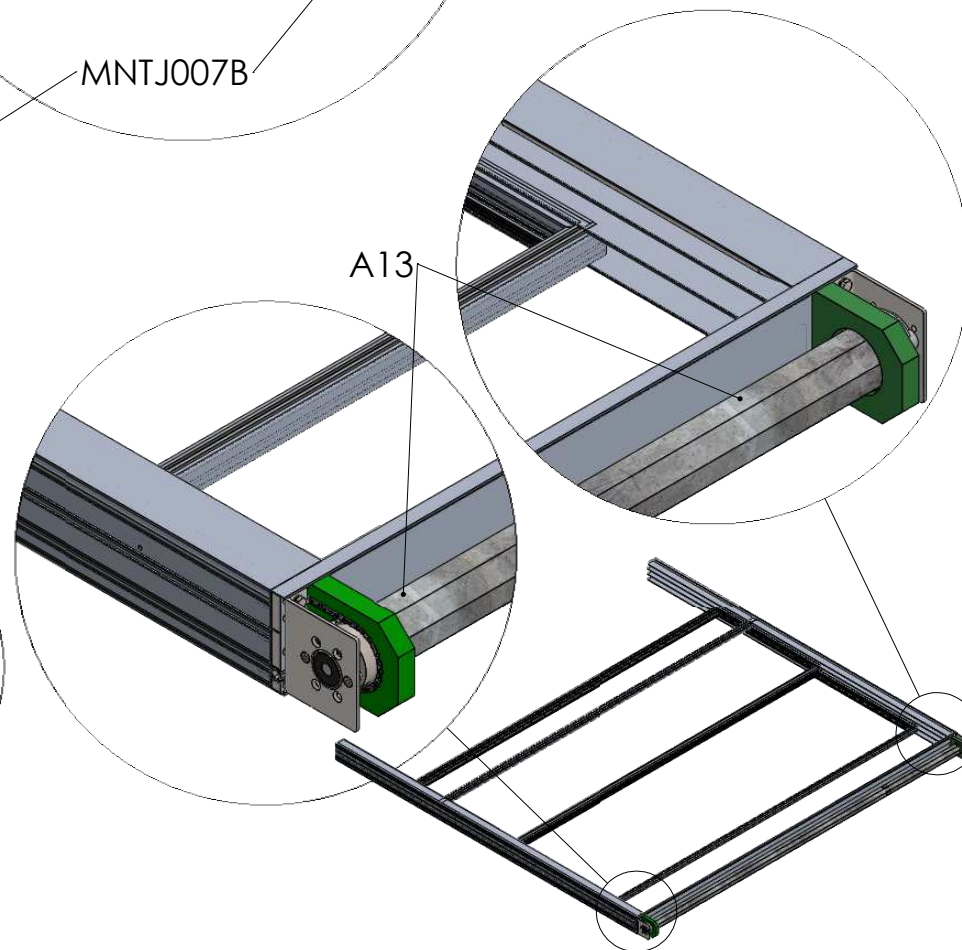
2

MAKE THE CHAIN OF
A13 PASS THROUGH
HOLES IN UPPER FRAME



3

INSTALL CHAIN TO
SPROCKET, THEN MOVE
M1900-PRC019s BACK
AND TIGHTEN **A8s**.

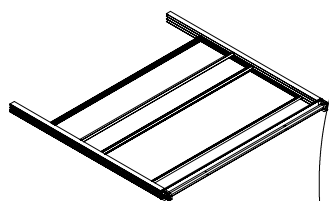




MOTORIZED GUILLOTINE SYSTEM
INSTALLATION MANUAL

M 1 9 1 0

MNTJ007 D



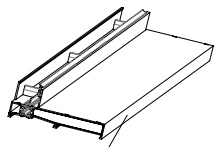
MNTJ007C

× 1

A14

× 1

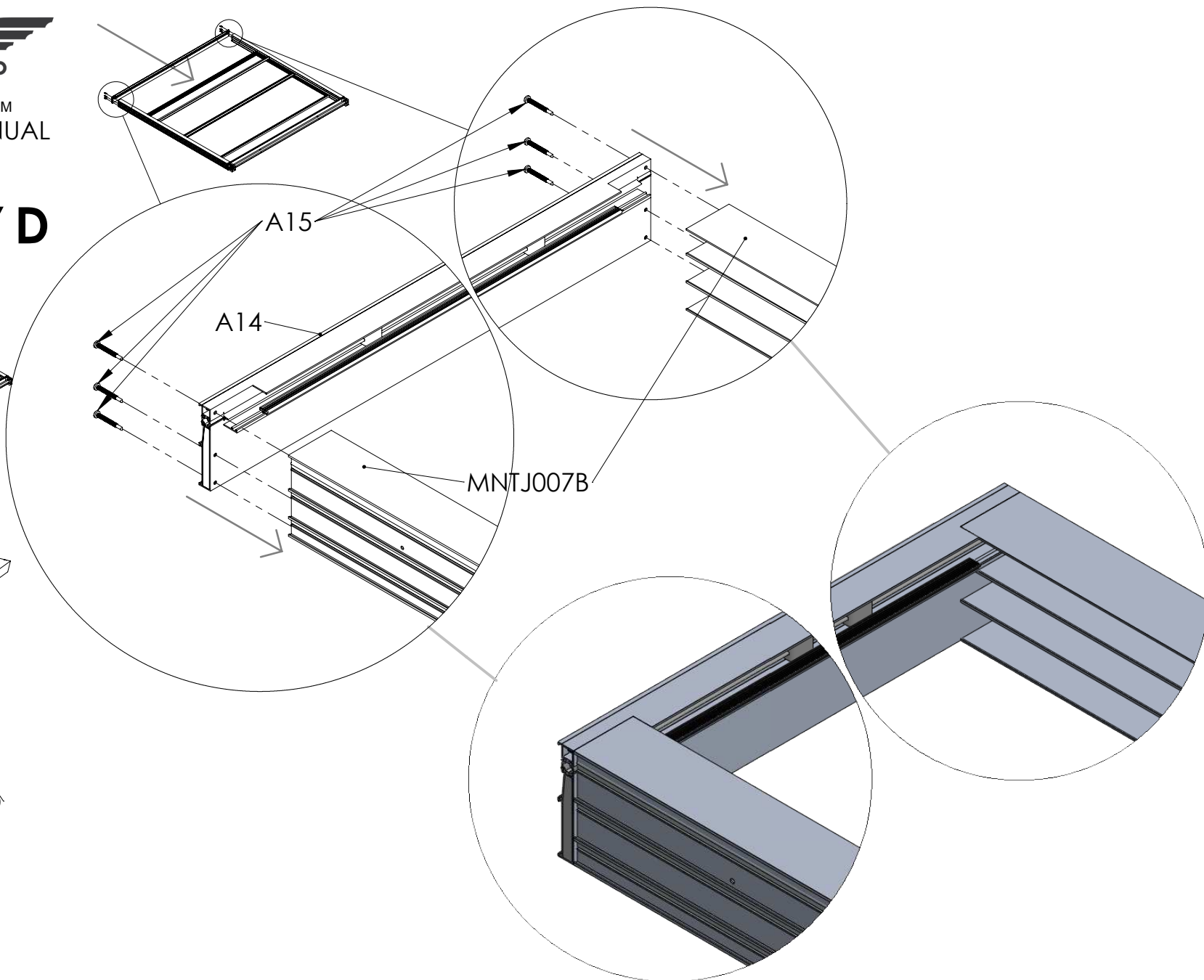
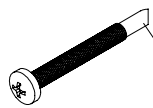
M1900-ALTMNTJ003



A15

× 1

YSB-MU-VIDA-DIN7504-N-4.8X50



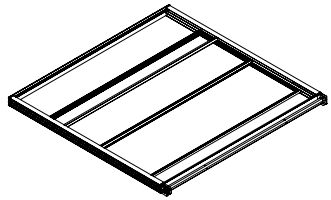


Awning for Patio

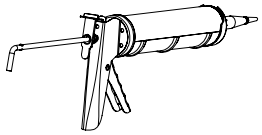
MOTORIZED GUILLOTINE SYSTEM
INSTALLATION MANUAL

M 1 9 1 0

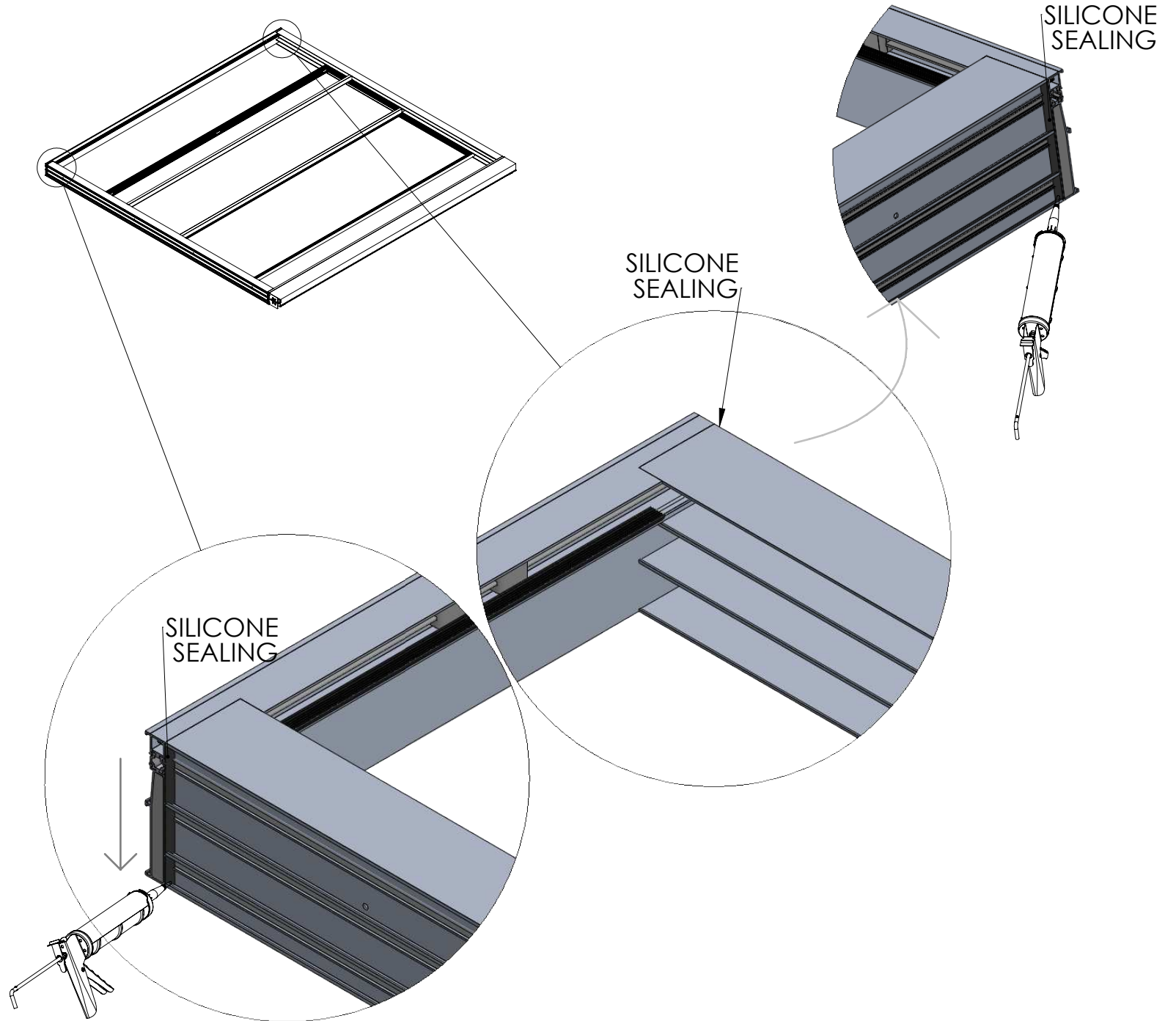
MNTJ007 E



MNTJ007D
× 1



SILICONE GUN
× 1

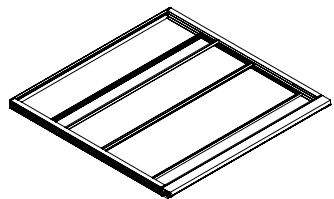




MOTORIZED GUILLOTINE SYSTEM
INSTALLATION MANUAL

M 1 9 1 0

MNTJ007 F



MNTJ007E

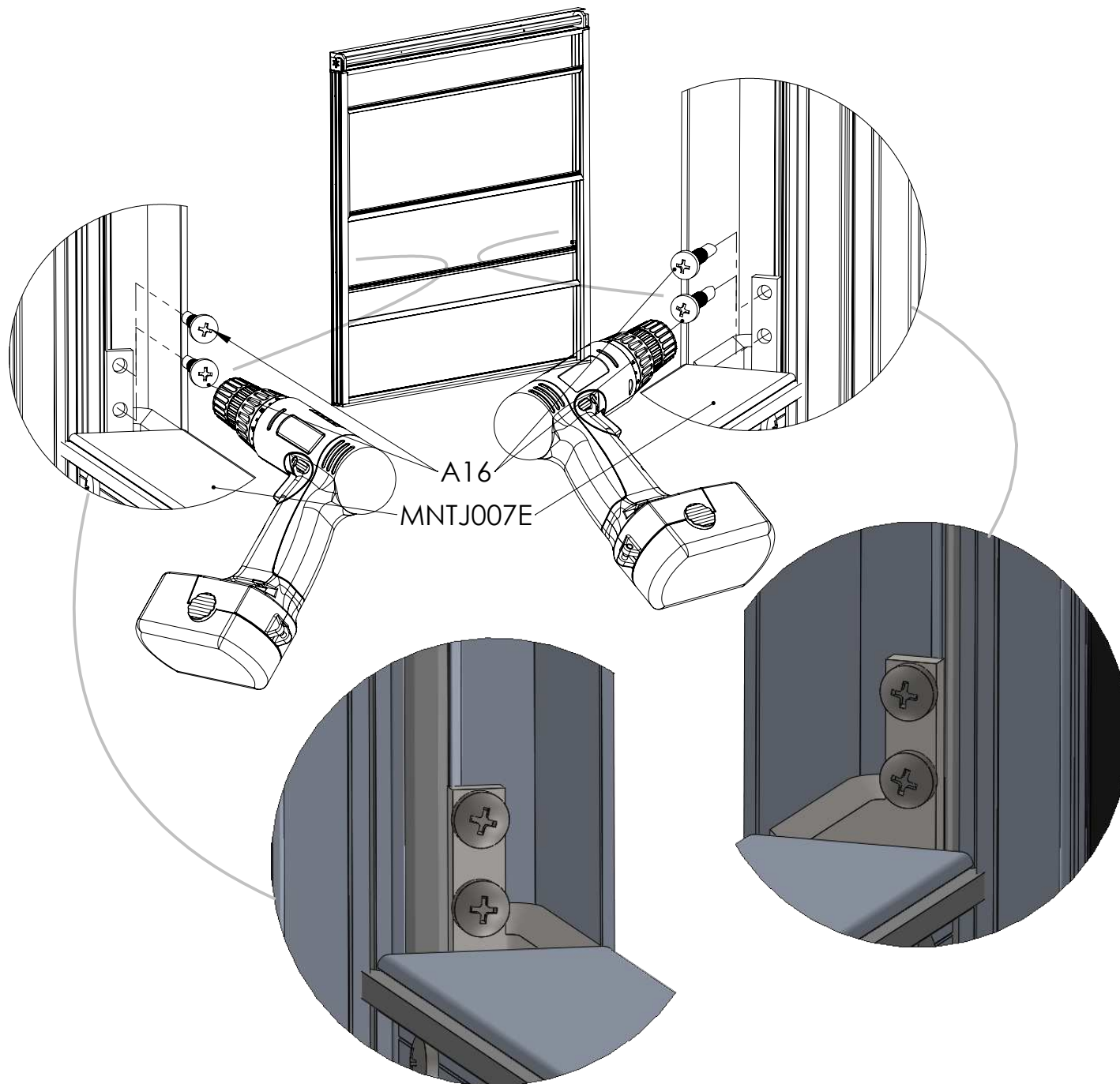
× 1

A16

× 4



YSB MU-DIN7504-N 4.8X25

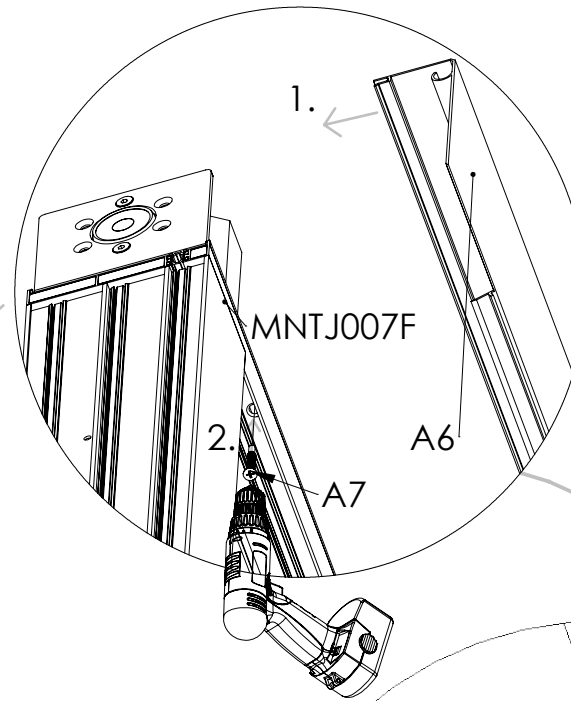
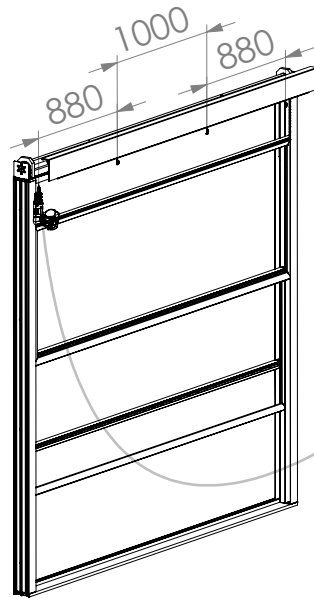
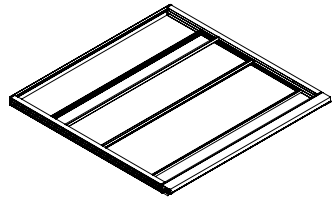




MOTORIZED GUILLOTINE SYSTEM
INSTALLATION MANUAL

M 1 9 1 0

MNTJ007 G



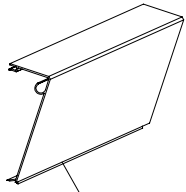
MNTJ007F

× 1

A6

× 1

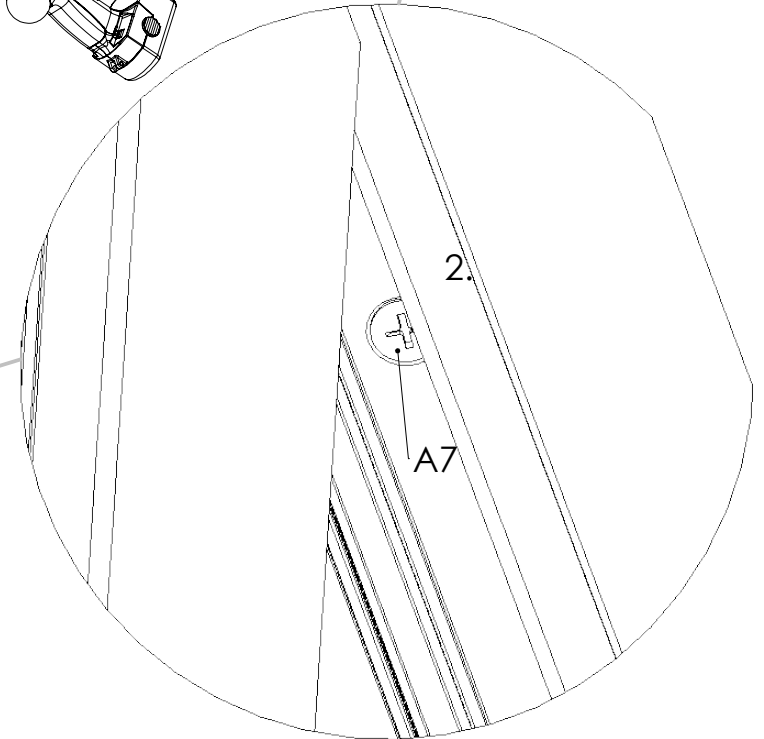
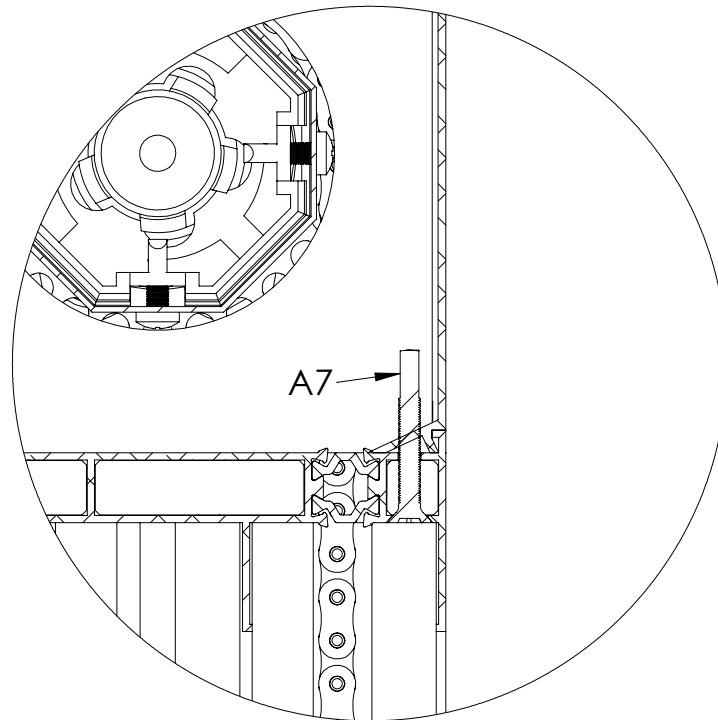
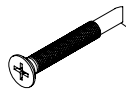
M1900-GP204-001



A7

× 4

YHB-MU-VÍDA-DIN7504-N ST4,8x38



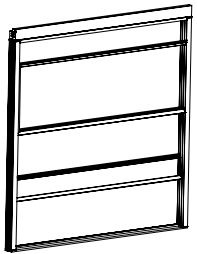


Awning for Patio

MOTORIZED GUILLOTINE SYSTEM
INSTALLATION MANUAL

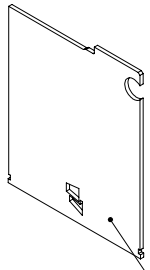
M 1 9 1 0

MNTJ007 H



MNTJ007G

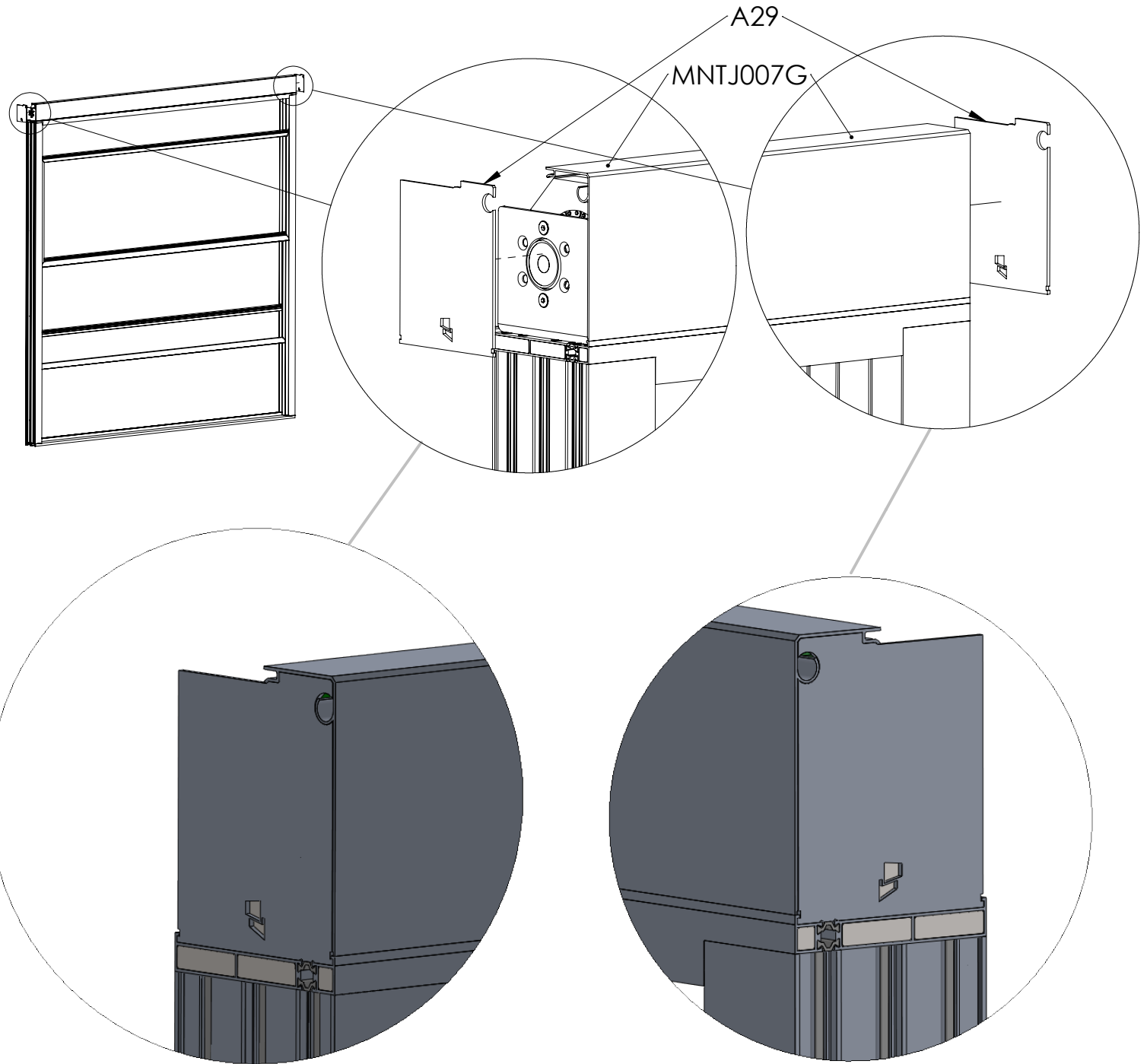
× 1



A29

× 2

M1900-PRC022



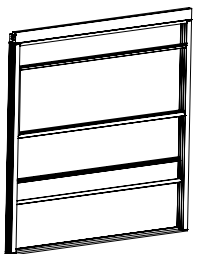


Awning for Patio

MOTORIZED GUILLOTINE SYSTEM
INSTALLATION MANUAL

M 1 9 1 0

MNTJ007 I



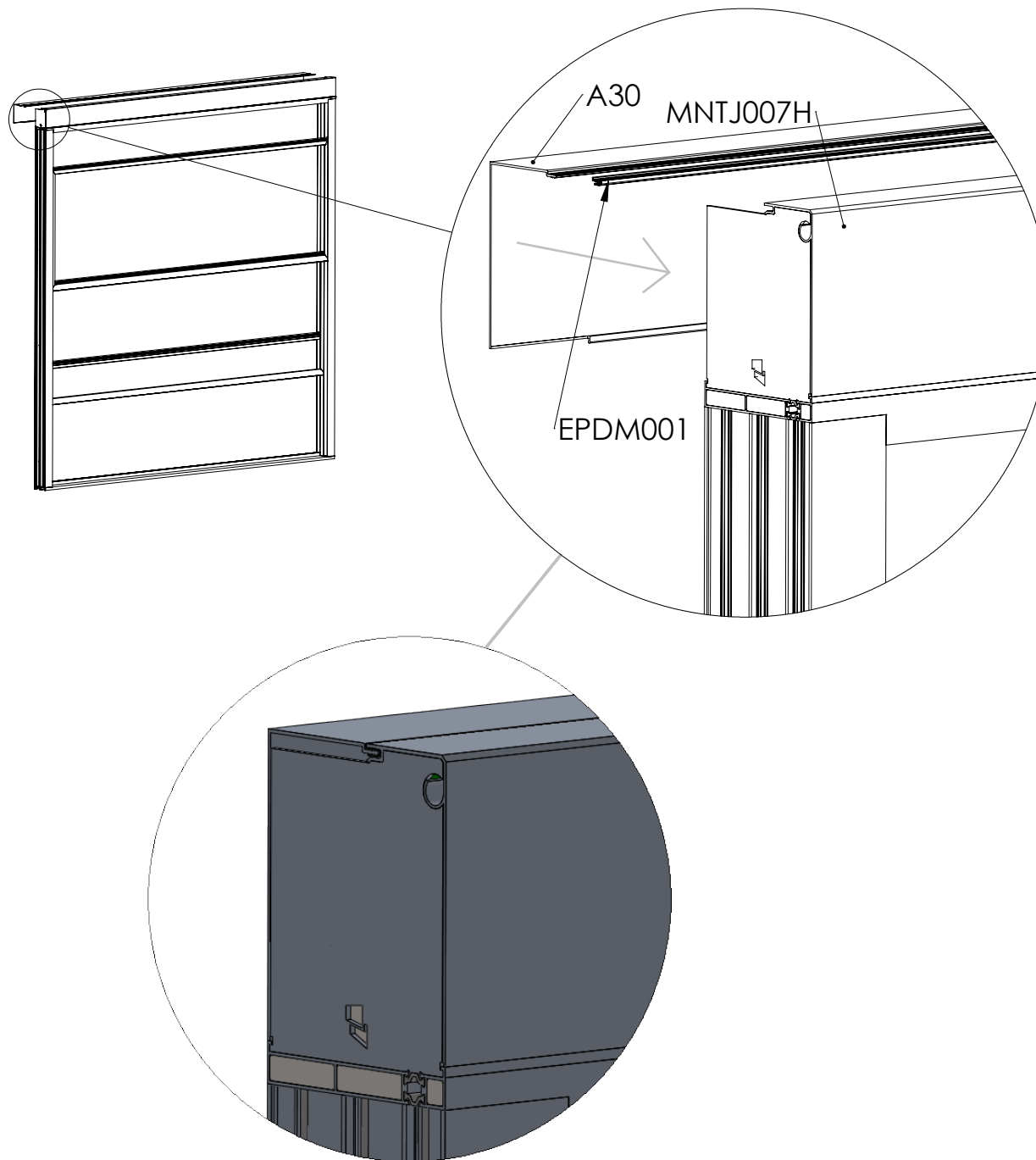
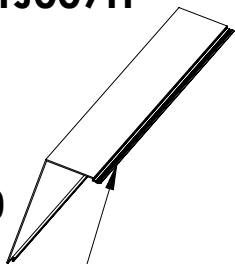
MNTJ007H

× 1

A30

× 1

GP205R1



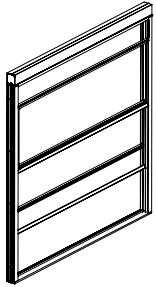


Awning for Patio

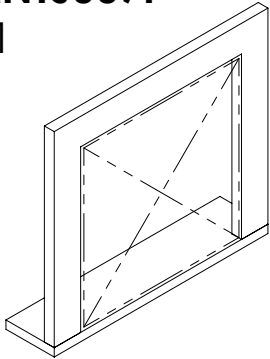
MOTORIZED GUILLOTINE SYSTEM
INSTALLATION MANUAL

M 1 9 1 0

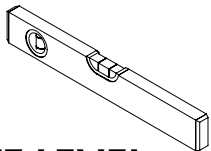
KRLM001 A



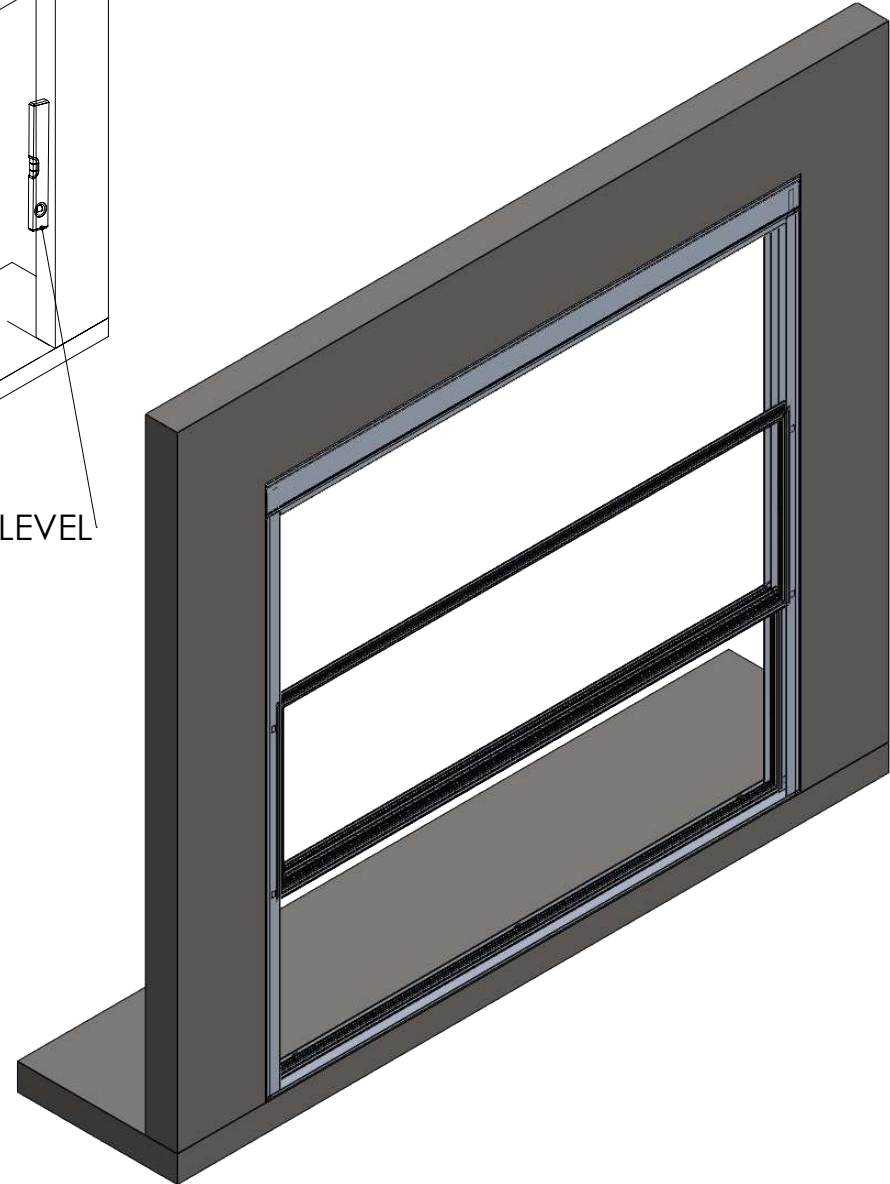
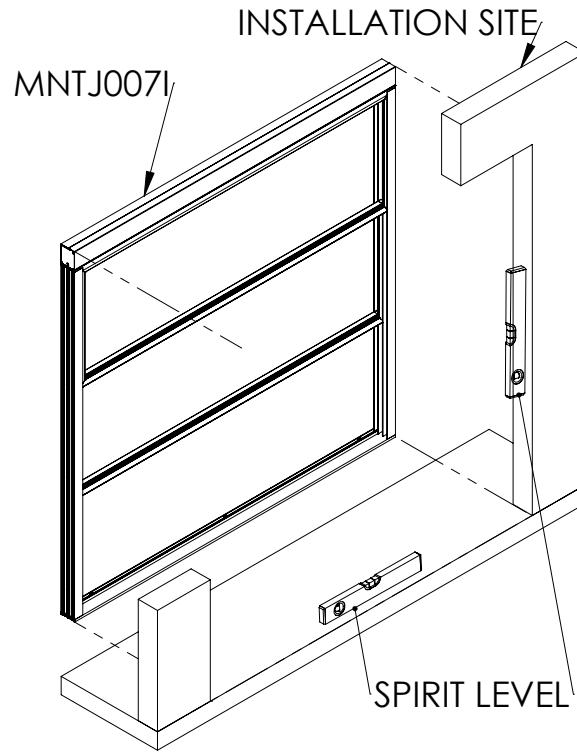
MNTJ0071
× 1



INSTALLATION SITE



SPIRIT LEVEL

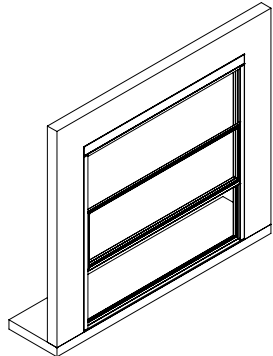




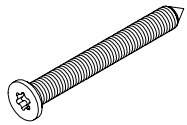
MOTORIZED GUILLOTINE SYSTEM
INSTALLATION MANUAL

M 1 9 1 0

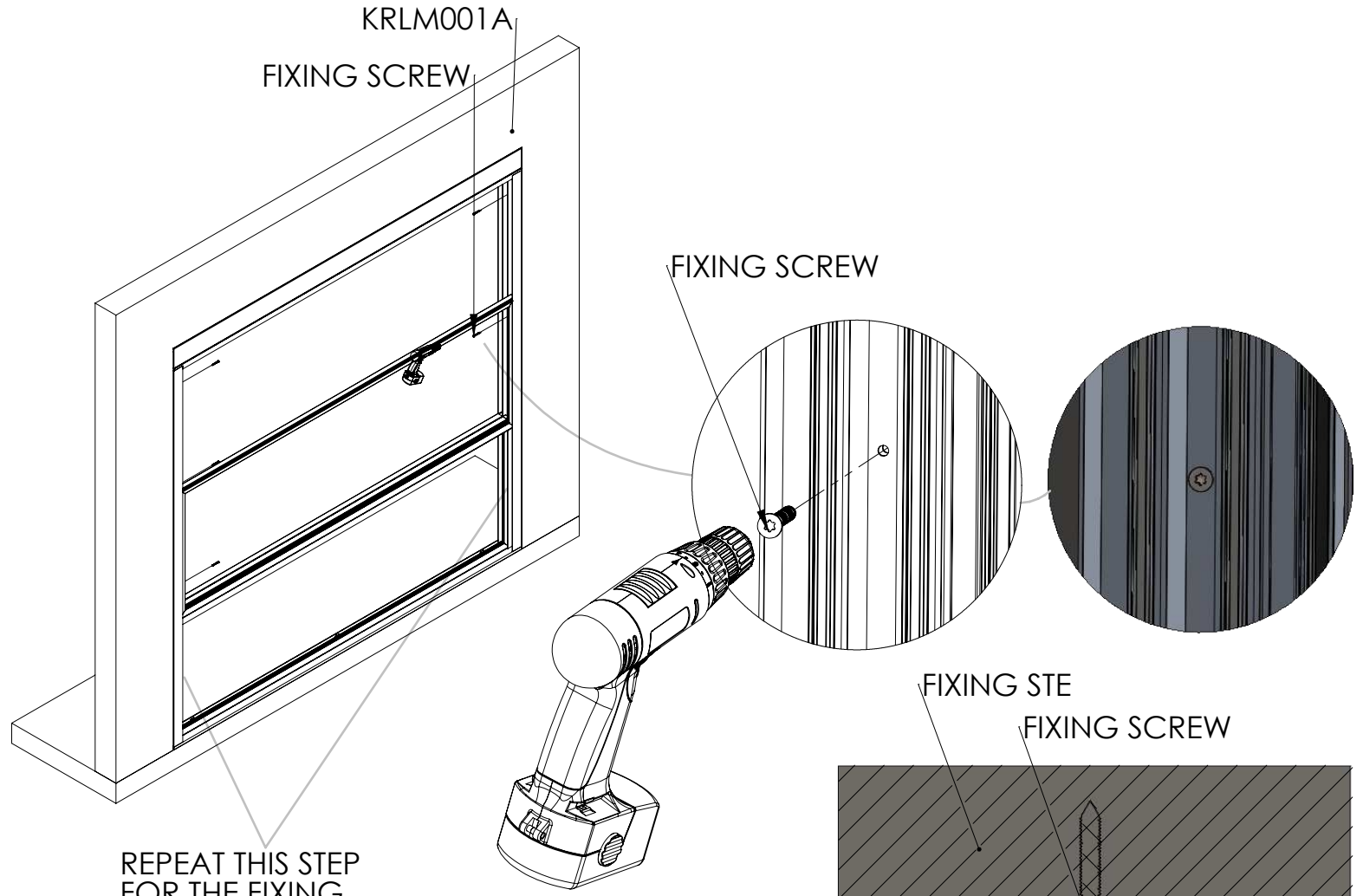
KRLM001 B



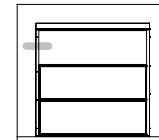
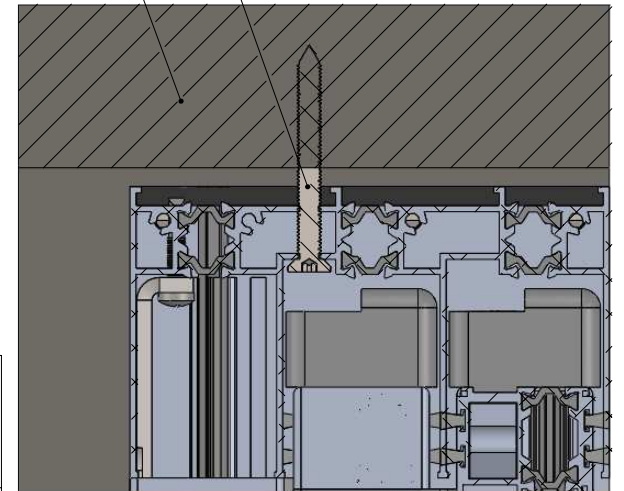
KRLM001A
× 1



FIXING SCREW
× 8



REPEAT THIS STEP
FOR THE FIXING
SCREW BEHIND
MOVABLE THE
GLASS PANEL



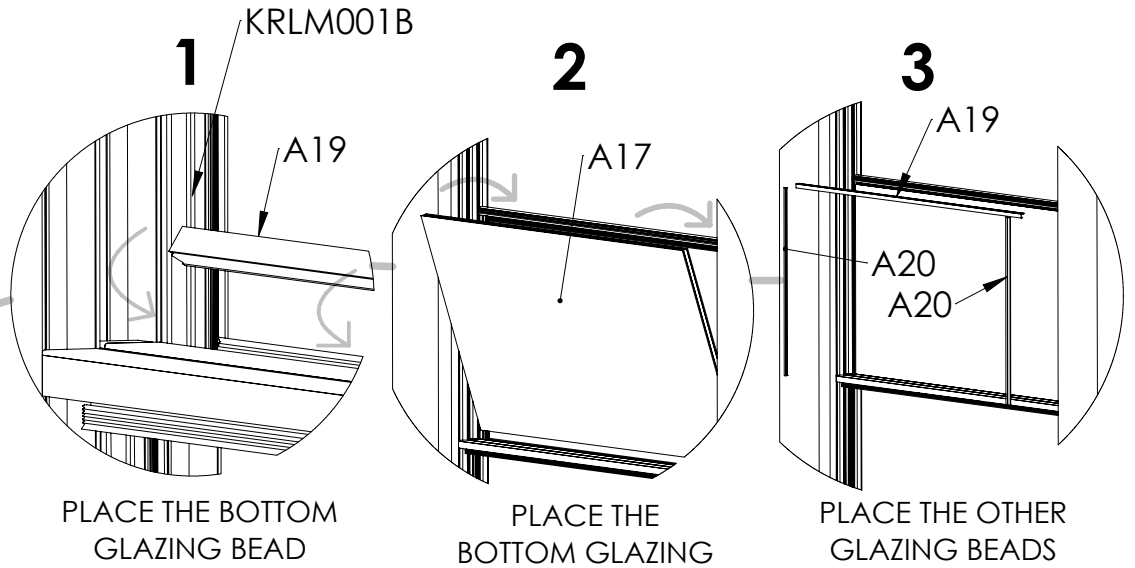
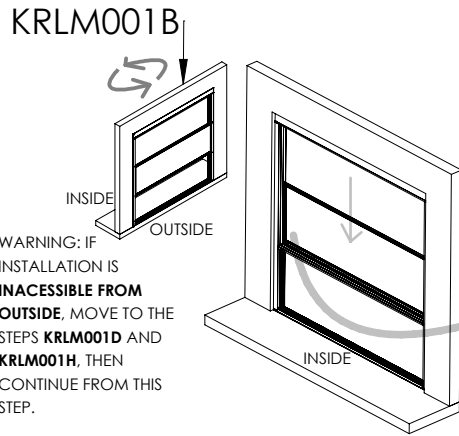
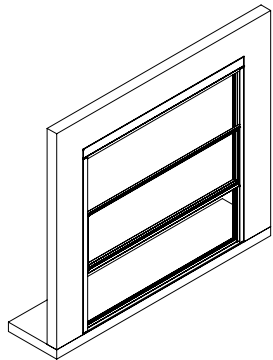


Awning for Patio

MOTORIZED GUILLOTINE SYSTEM
INSTALLATION MANUAL

M 1 9 1 0

KRLM001 C



KRLM001B

× 1

A17

× 2

M1900-ISICAM-002

A19

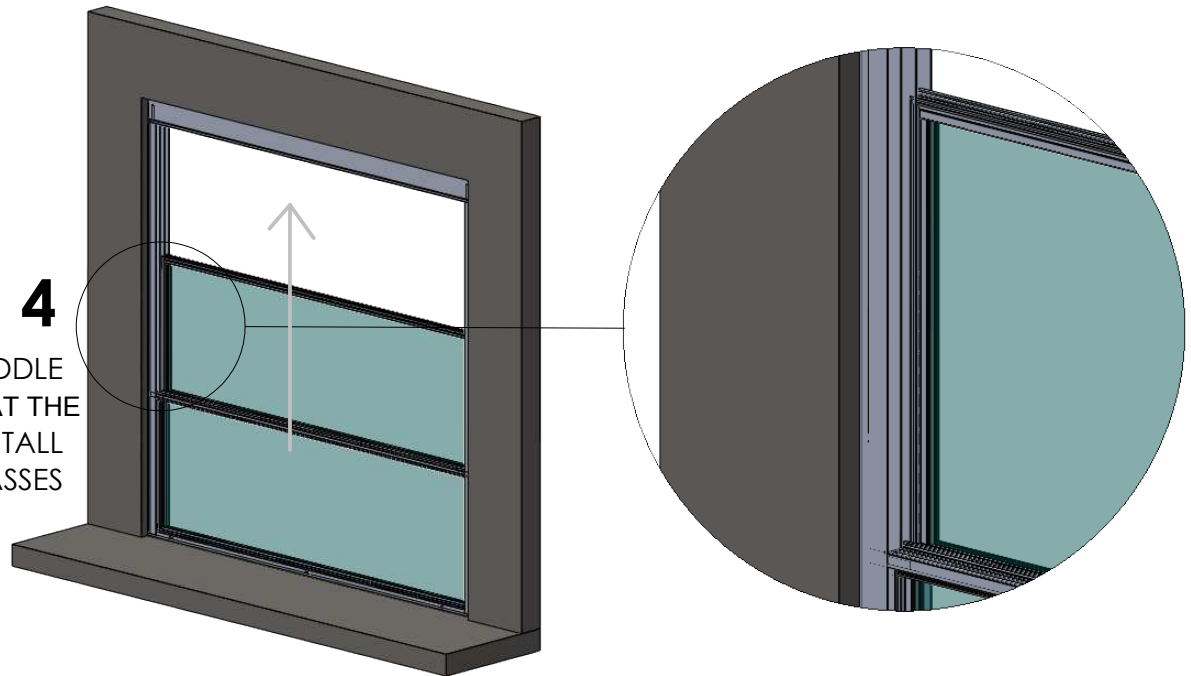
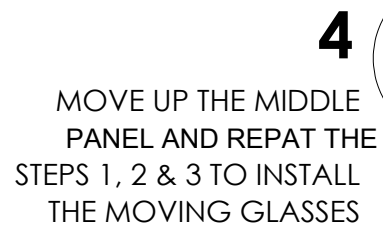
× 4

M1910-GP312-002

A20

× 4

M1910-GP312-003

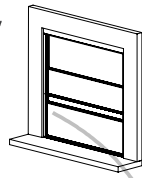
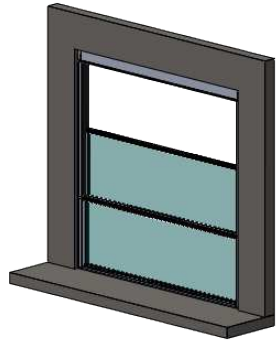




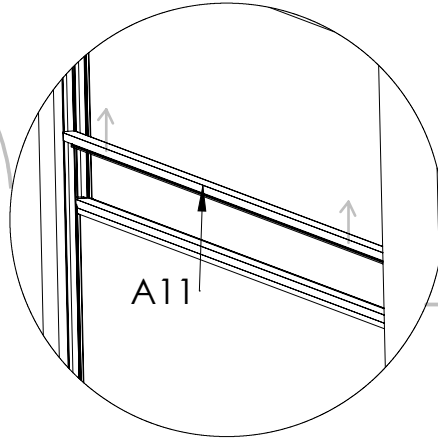
MOTORIZED GUILLOTINE SYSTEM
INSTALLATION MANUAL

M 1 9 1 0

KRLM001 D

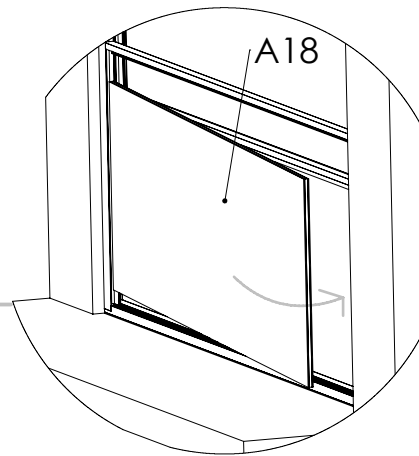


1



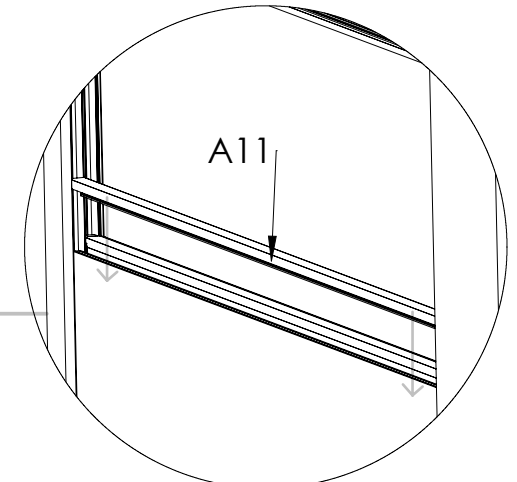
UNSCREW AND SLIGHTLY
MOVE UP **A11**

2



PLACE THE BOTTOM
GLAZING BY SLIGHTLY
TILTING

3



PLACE **A11** ON TOP OF
THE GLAZING AND
SCREW TO THE FRAME
AGAIN

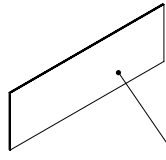
KRLM001C4

× 1

A18

× 1

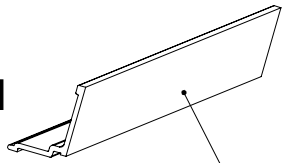
M1900-ISICAM-001



A21

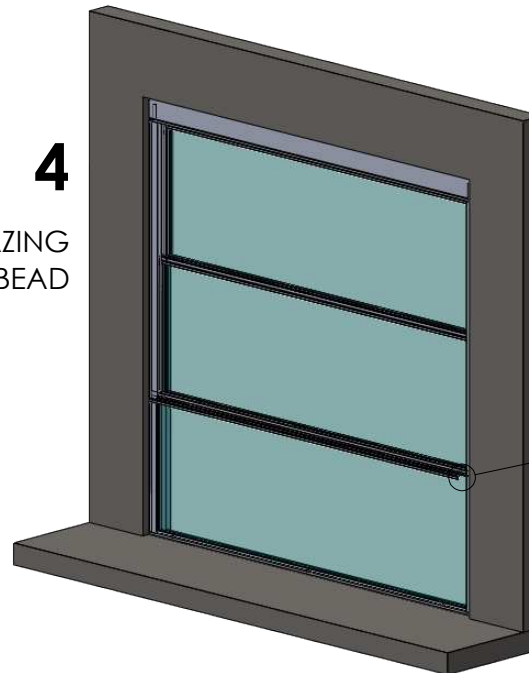
× 1

M1910-GP312-001

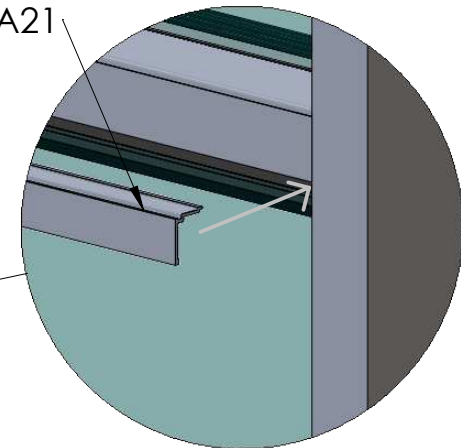


4

PLACE THE GLAZING
BEAD



A21

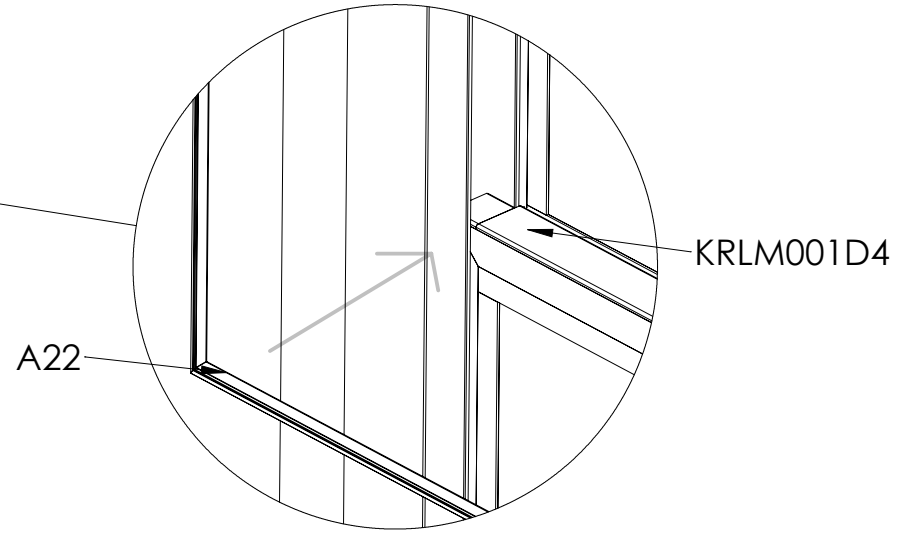
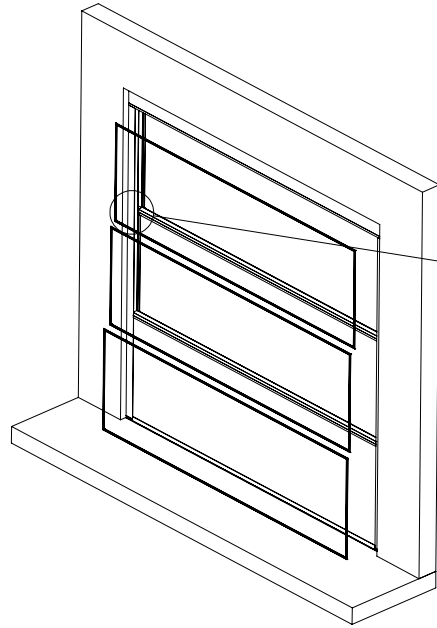
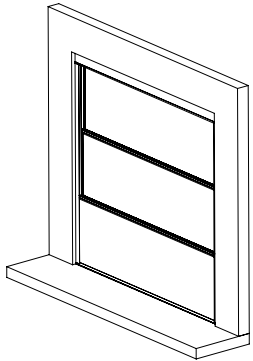




MOTORIZED GUILLOTINE SYSTEM
INSTALLATION MANUAL

M 1 9 1 0

KRLM001 E



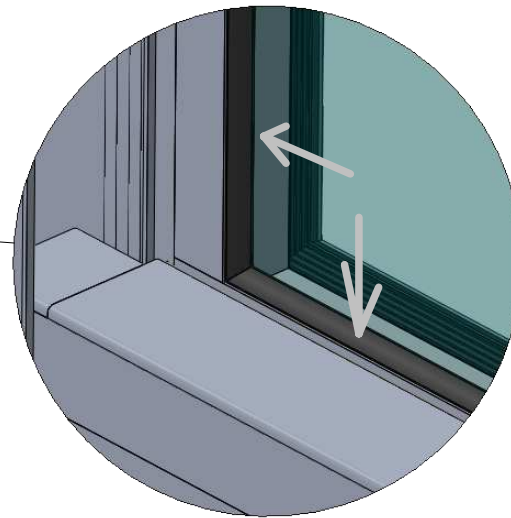
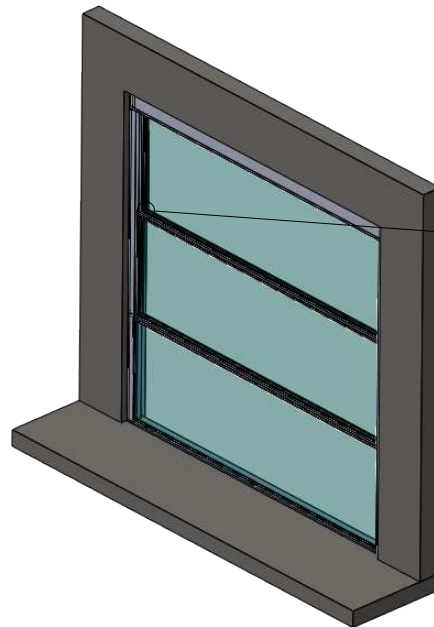
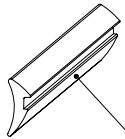
KRLM001D4

× 1

A22

× 1

EPDM212T38
(3mm KAMA FITL)



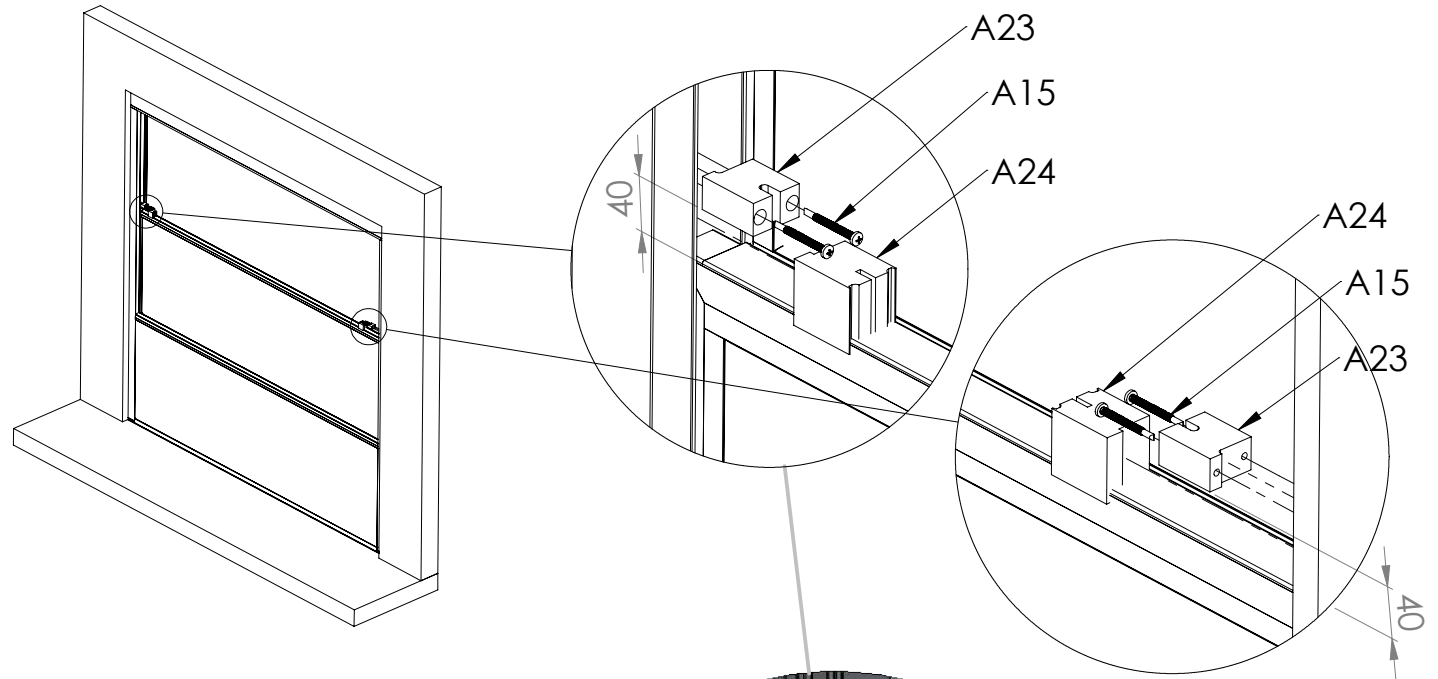
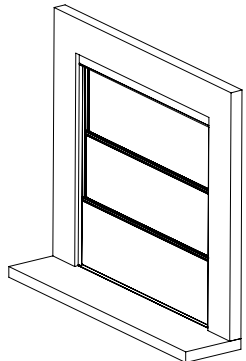


Awning for Patio

MOTORIZED GUILLOTINE SYSTEM
INSTALLATION MANUAL

M 1 9 1 0

KRLM001 F



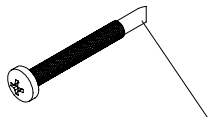
KRLM001E1

×1

A15

×4

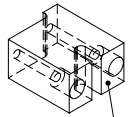
YSB-MU-VÍDA-DIN7504-N-4.8X50



A23

×2

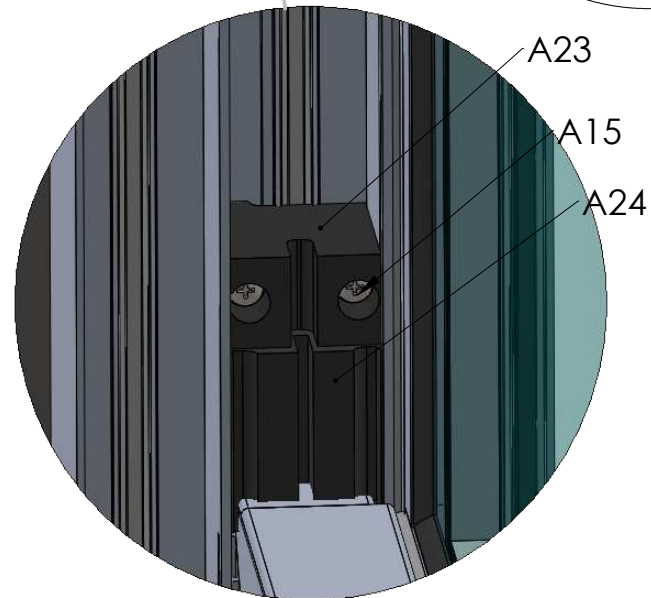
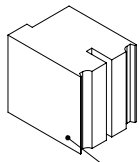
M1900-PRC025



A24

×2

M1900-PRC018

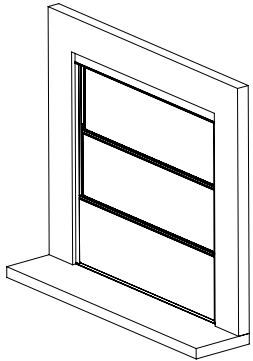
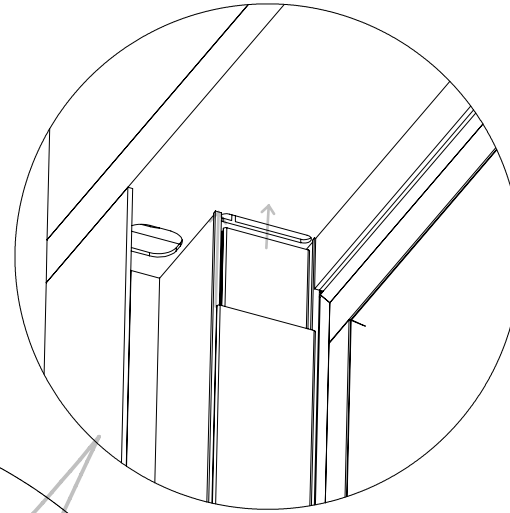
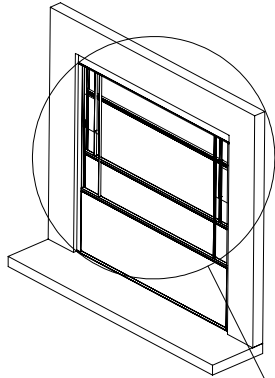




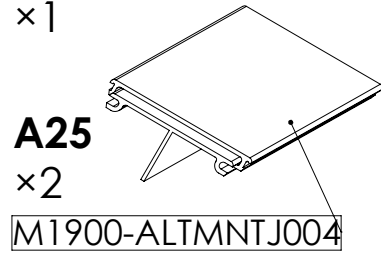
MOTORIZED GUILLOTINE SYSTEM
INSTALLATION MANUAL

M 1 9 1 0

KRLM001 G

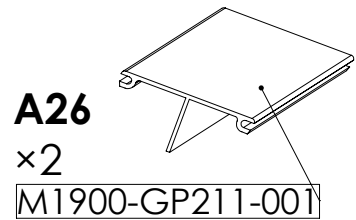


KRLM001F
×1



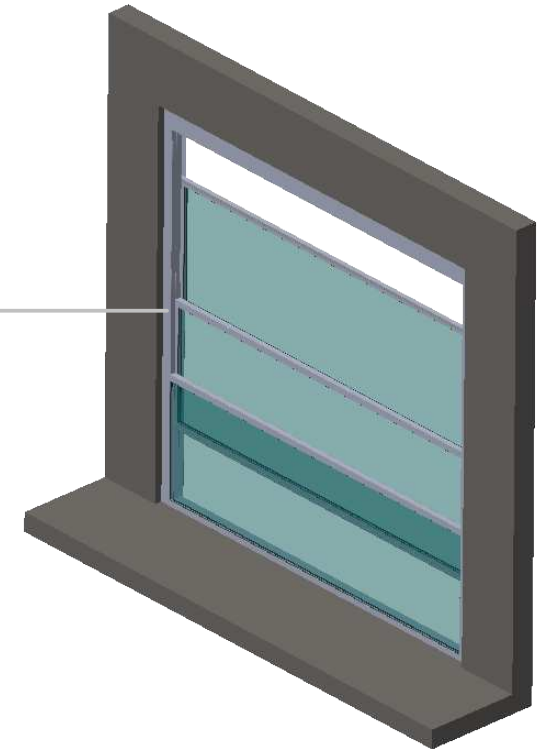
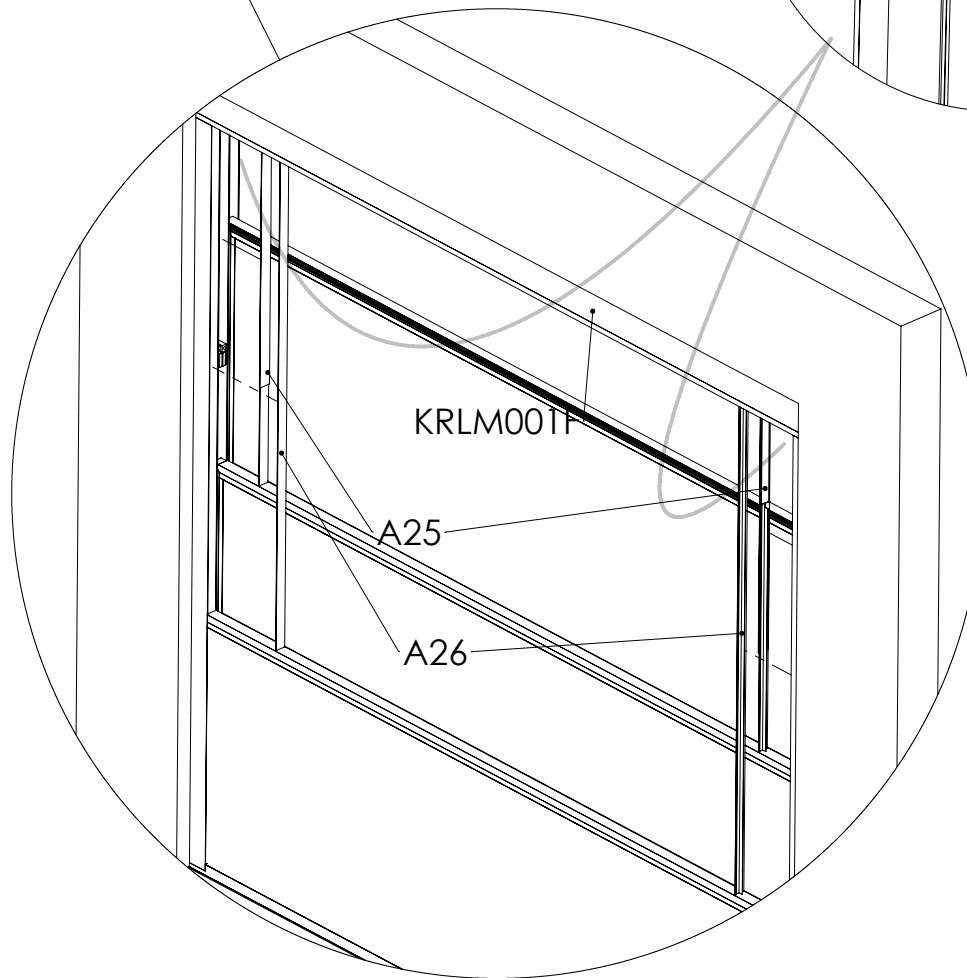
A25
×2

M1900-ALTMNTJ004



A26
×2

M1900-GP211-001



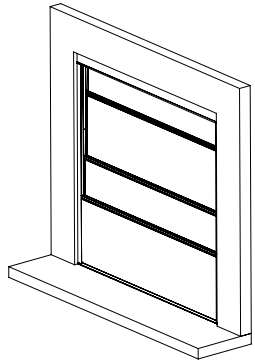


Awning for Patio

MOTORIZED GUILLOTINE SYSTEM
INSTALLATION MANUAL

M 1 9 1 0

KRLM001 H



KRLM001G

× 1

A27

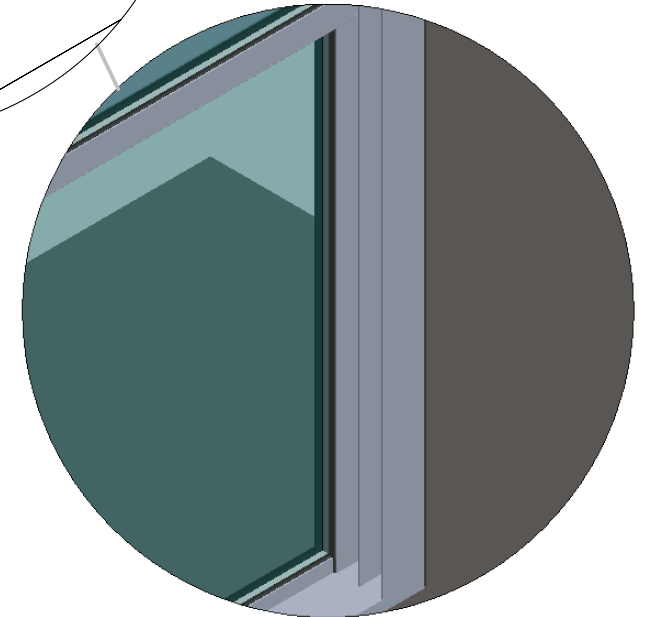
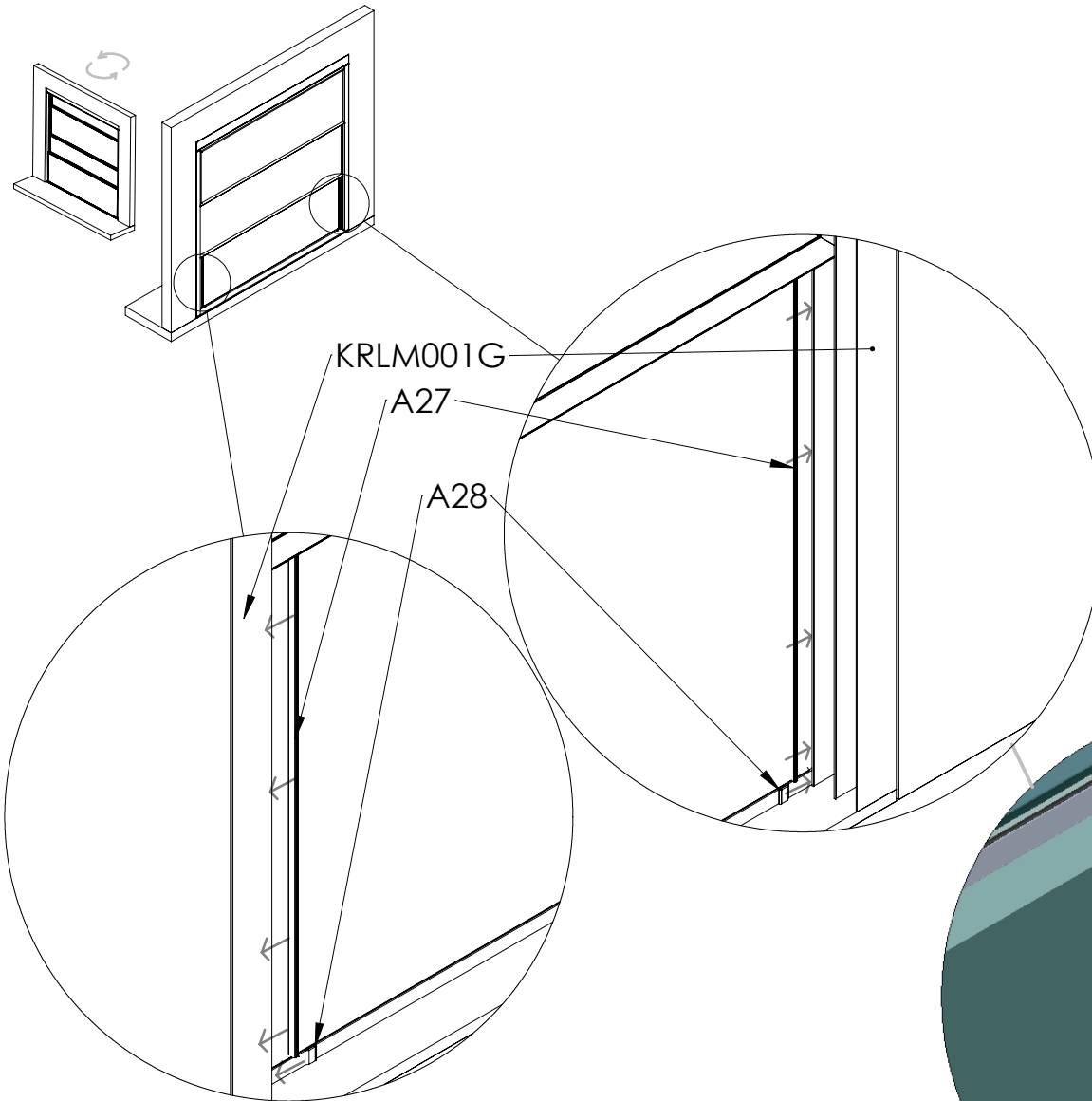
× 1

EPDM1910002
(9mm KAMA FITİL)

A28

× 2

M1900-PRC024

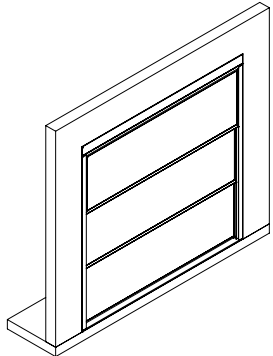




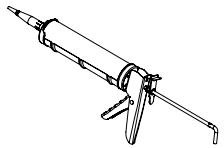
MOTORIZED GUILLOTINE SYSTEM
INSTALLATION MANUAL

M 1 9 1 0

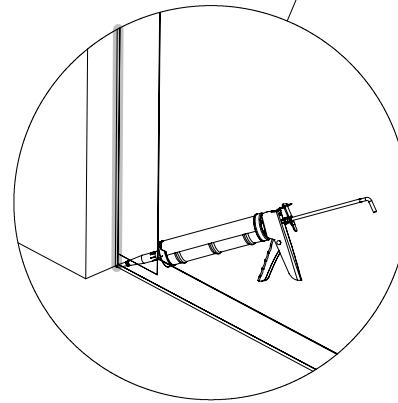
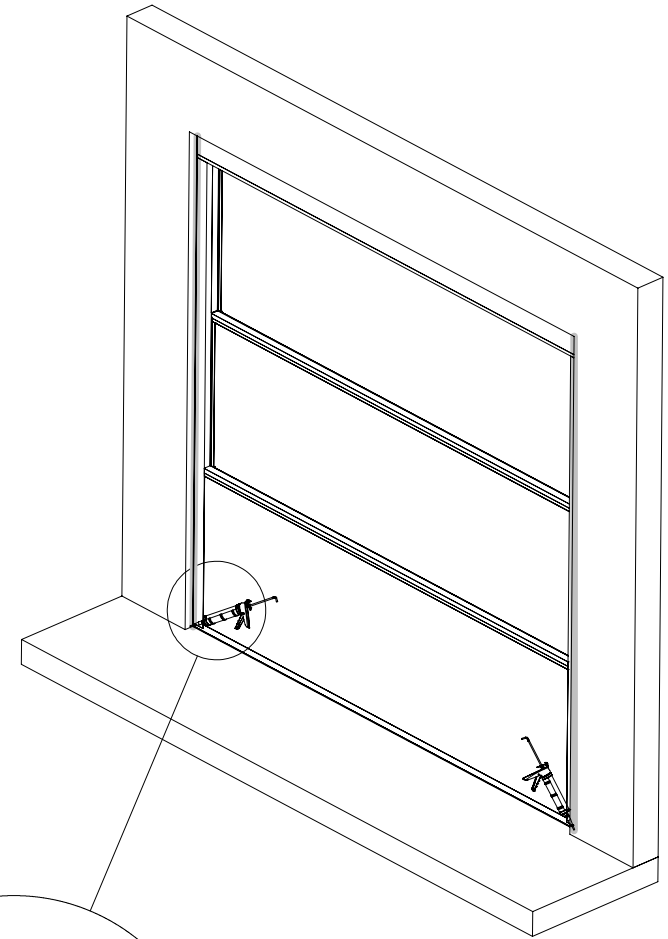
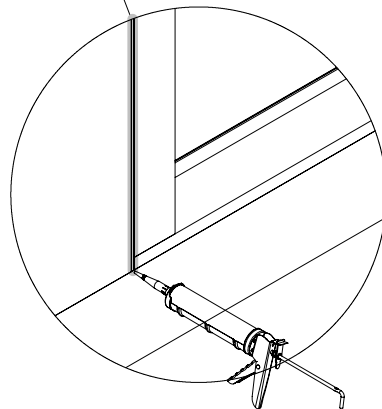
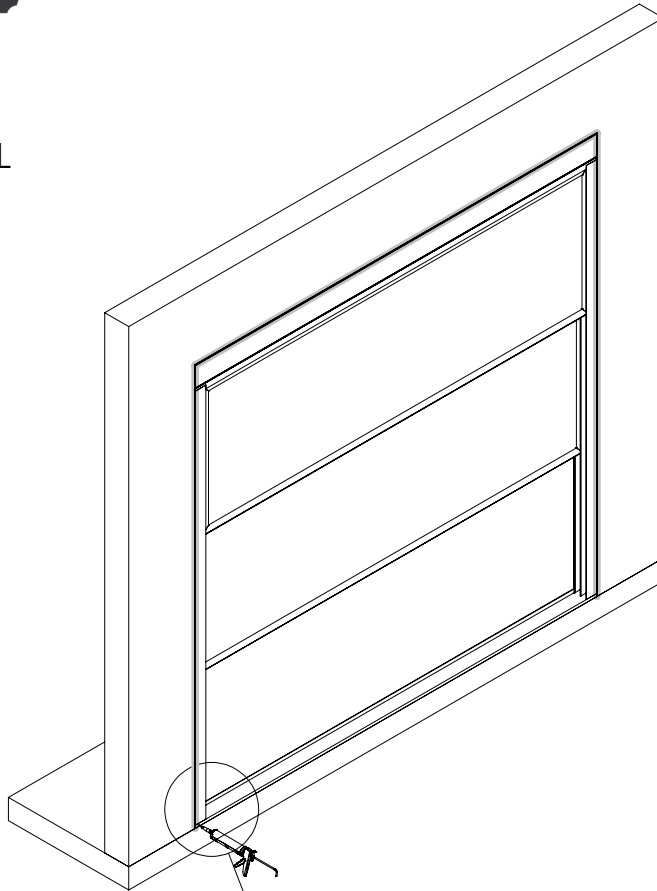
KRLM001 I



KRLM001H
× 1



SILICONE GUN
× 1





MOTORIZED GUILLOTINE SYSTEM
INSTALLATION MANUAL

M 1 9 1 0

KRLM001 J

MOVE THE SAHES UP
AND DOWN, MAKE
ADJUSTMENTS IF
NEEDED AND
FINALIZE THE
INSTALLATION

